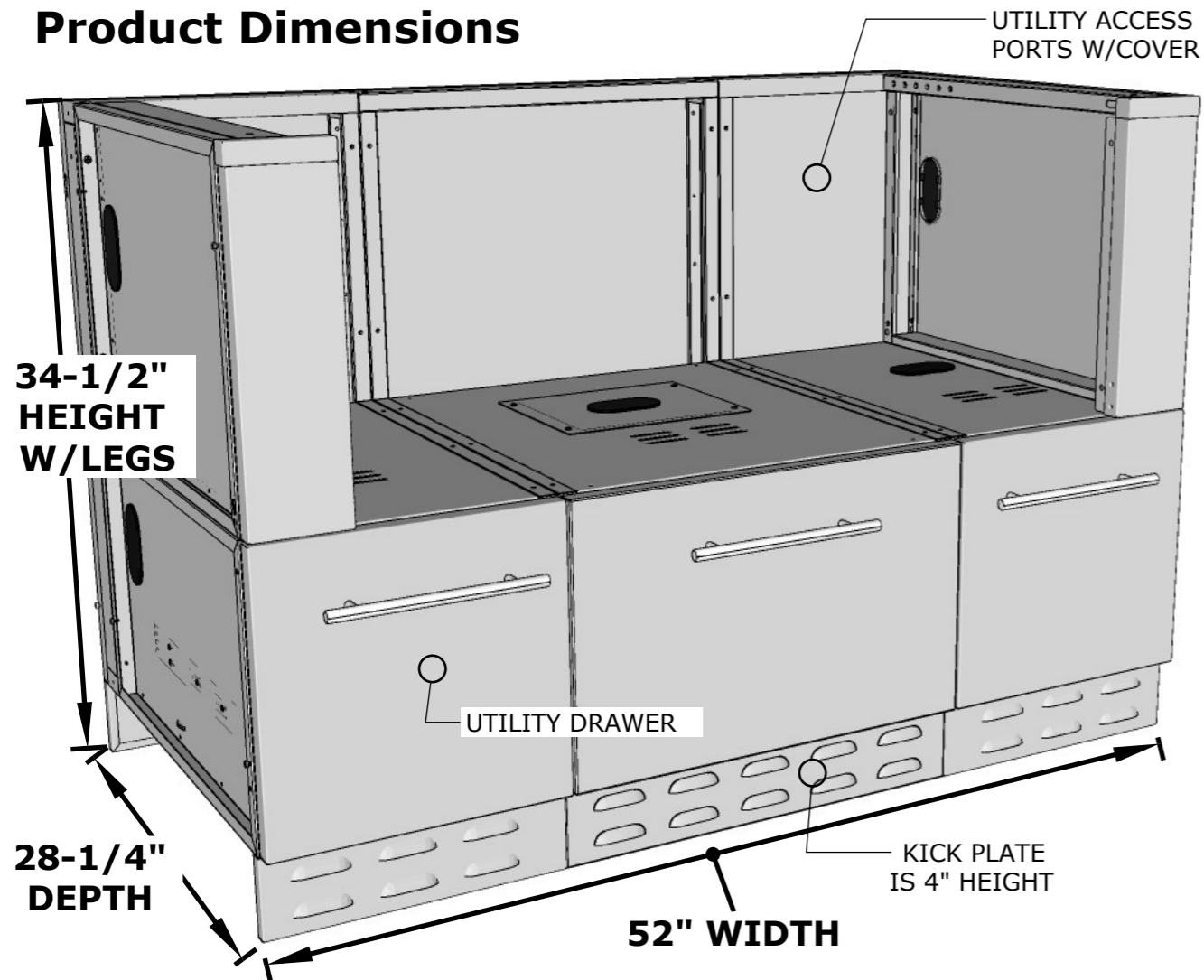
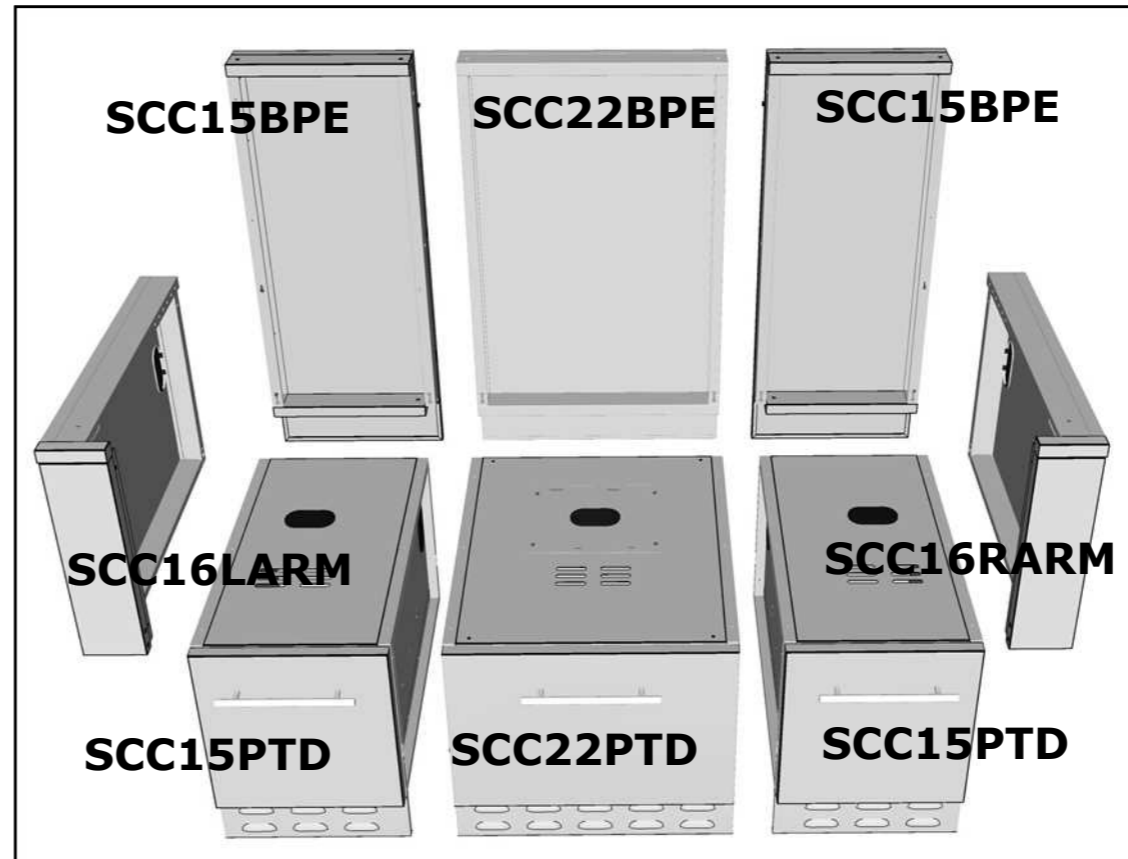


## Product Dimensions



## Product Components

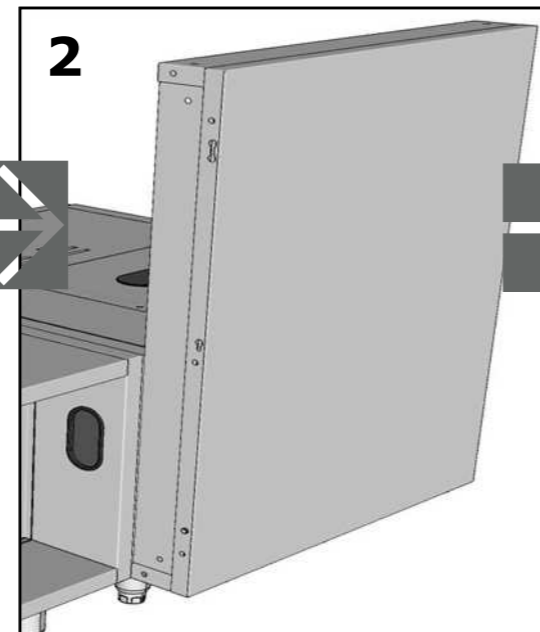


\* Reconfigure similar components as you wish into multiple configurations

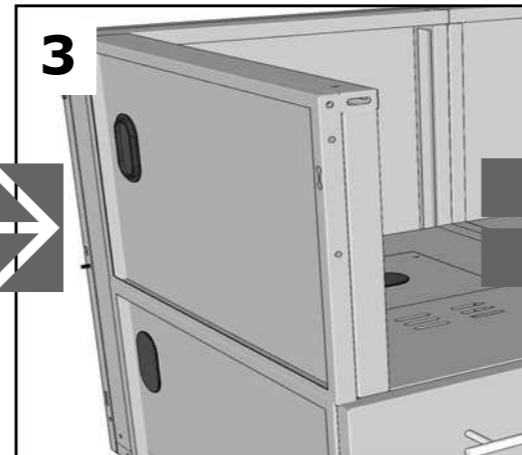
**Quick Setup Guide** - These Steps are Required to be Completed before connecting cabinet to any adjacent cabinet within your island package.



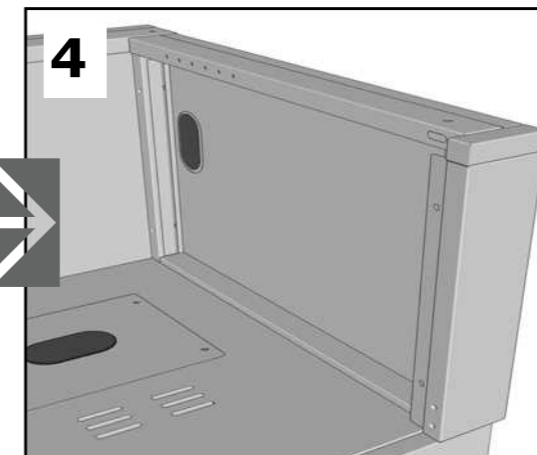
**1.** Fasten on the included (4) Peg-Legs for each of the SCC22PTD Drawer Bases. Lift and Hinge the cabinets together, then secure with connecting bolts. Fasten on both Handles.



**2.** Hinge the (2) SCC22BPE cabinet panels to the back connecting (2) SCC22PTD Drawer Bases.



**3.** Connect each Left and Right Side Arm SCC16LARM & SCC16RARM.



**4.** Fasten on each Left and Right Side Trim-Kits. Trim-Kits must be installed before cabinet is connected to other opposing cabinets on either side.

**SUNSTONE METAL PRODUCTS**  
16004 CENTRAL COMMERCE DR.  
PFLUGERVILLE, TEXAS 78660  
Tel: 888.934.9449  
Bus: 512.487.5116  
Fax: 512.487.7016

### PRODUCT

52" Appliance Cabinet  
for Hybrid Pellet Grills

Item No. SAC44HGDC

### DESCRIPTION

52" Appliance Cabinet

- Lifetime Structure Warranty
- 304 Stainless Steel Structure
- 304 SS Rod Handles
- Front & Back Kick-Plates
- Easy Pin-Lock Installation
- Soft-Close Drawer Tracks
- Covered Access Ports
- Adjustable Peg-Legs
- Optional Wheel Casters

### INCLUDED COMPONENTS

- (1) SCC22PTD
- (1) SCC22BPE
- (2) SCC15PTD
- (2) SCC15BPE
- (1) SCC16RARM
- (1) SCC16LARM
- (3) Front Vented Kick Plate
- (3) Back Solid Kick Plate
- (12) Adjustable Peg Legs
- (3) 304 SS Rod Handles

### PRODUCT DIMENSIONS

52"W x 28-1/4"D (w/Drawers) x  
34-1/2"H (w/Legs) or 30-1/2"H  
(no Legs) or Upto 36" Max  
Adjustable Height

### INSERTABLE PRODUCTS

(See next page Trim Kit Guide for  
other insertable product Brands)

### MATERIAL SPECS

304 Stainless Steel entire  
structure, 18 Gauge for Door  
Panel, 18 Gauge for Cabinet  
Box, 18 Gauge for Shelf,  
Handles are made of Solid 304  
Stainless Steel Bar.

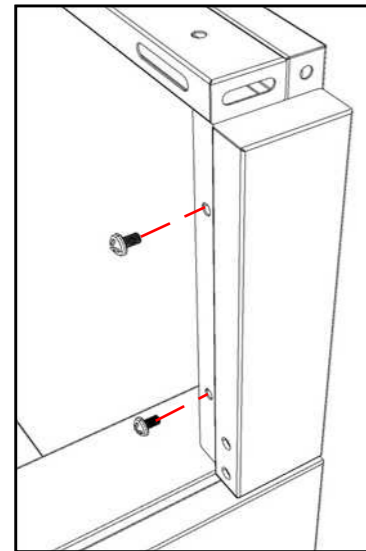
# SAC52HGDC TRIM-KIT GUIDE

Disclaimer: The trademarks used in the "Product Option" column below belong to their respective owners who do not sponsor nor are they affiliated with Sunstone Metal Products, L.L.C. The specific product Cut-Out Dimensions have not been directly confirmed by any Sunstone Metal Products LLC, representative or employee. Use own discretion to confirm exact product fit.

Model Number	Sleeve Cut-Out	Product Option
<b>SCCHGCTK3</b>	44" Width x 16-1/4" Height x 24-1/2" Maximum Depth	No Known Models
<b>SCCHGCTK4.75</b>	40-1/2" Width x 16-1/4" Height x 24-1/2" Maximum Depth	Memphis® 39" Elite Pellet Grill
<b>SCCHGCTK6.25</b>	37-3/4" Width x 16-1/4" Height x 24-1/2" Maximum Depth	No Known Models

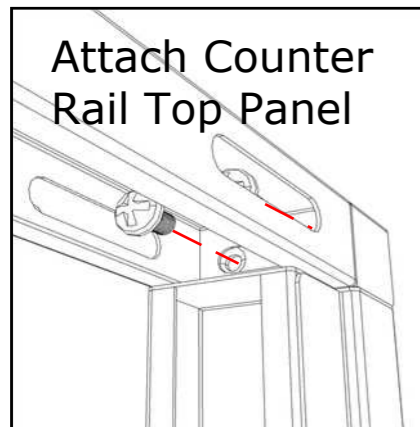
**1.**

Attach each Trim Kit Panel to each side

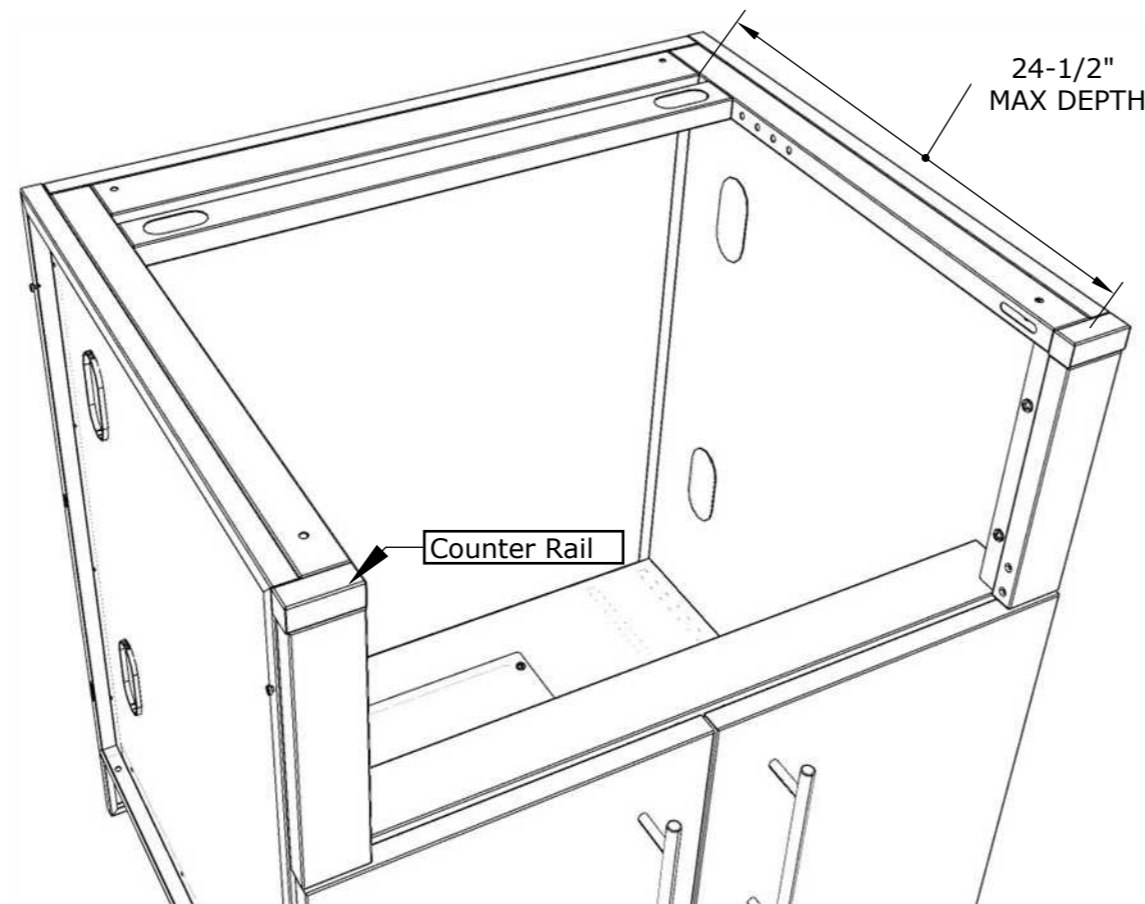


**2.**

Attach Counter Rail Top Panel



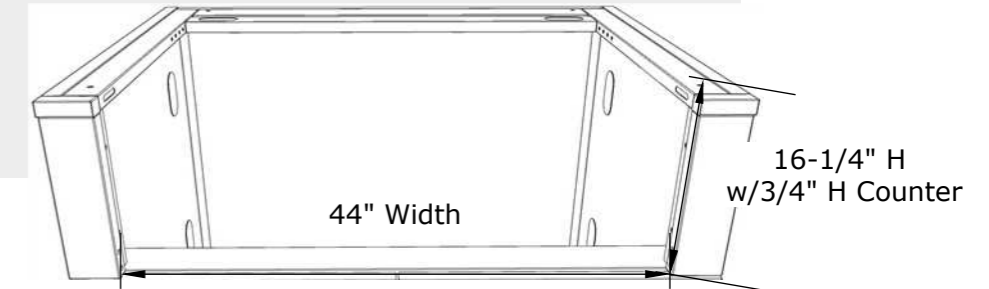
**CALL OUR TECH. SUPPORT 888-934-9449**



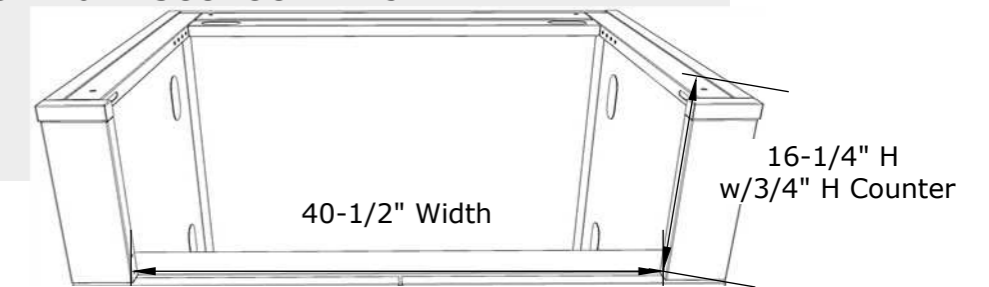
## Trim-Kit Sleeve Dimensions

Compatible between 37-3/4 In. Width and 44 In. Width x 16-1/4 In. Height x 24-1/2 In. Depth Max Height with counter at 3/4 In. Height (Additional Height can be adjusted by Removing Bottom Filler Rail or by adding a Thicker Counter or Backer Board)

Item No. SCCHGCTK3



Item No. SCCHGCTK4.75



Item No. SCCHGCTK6.25

