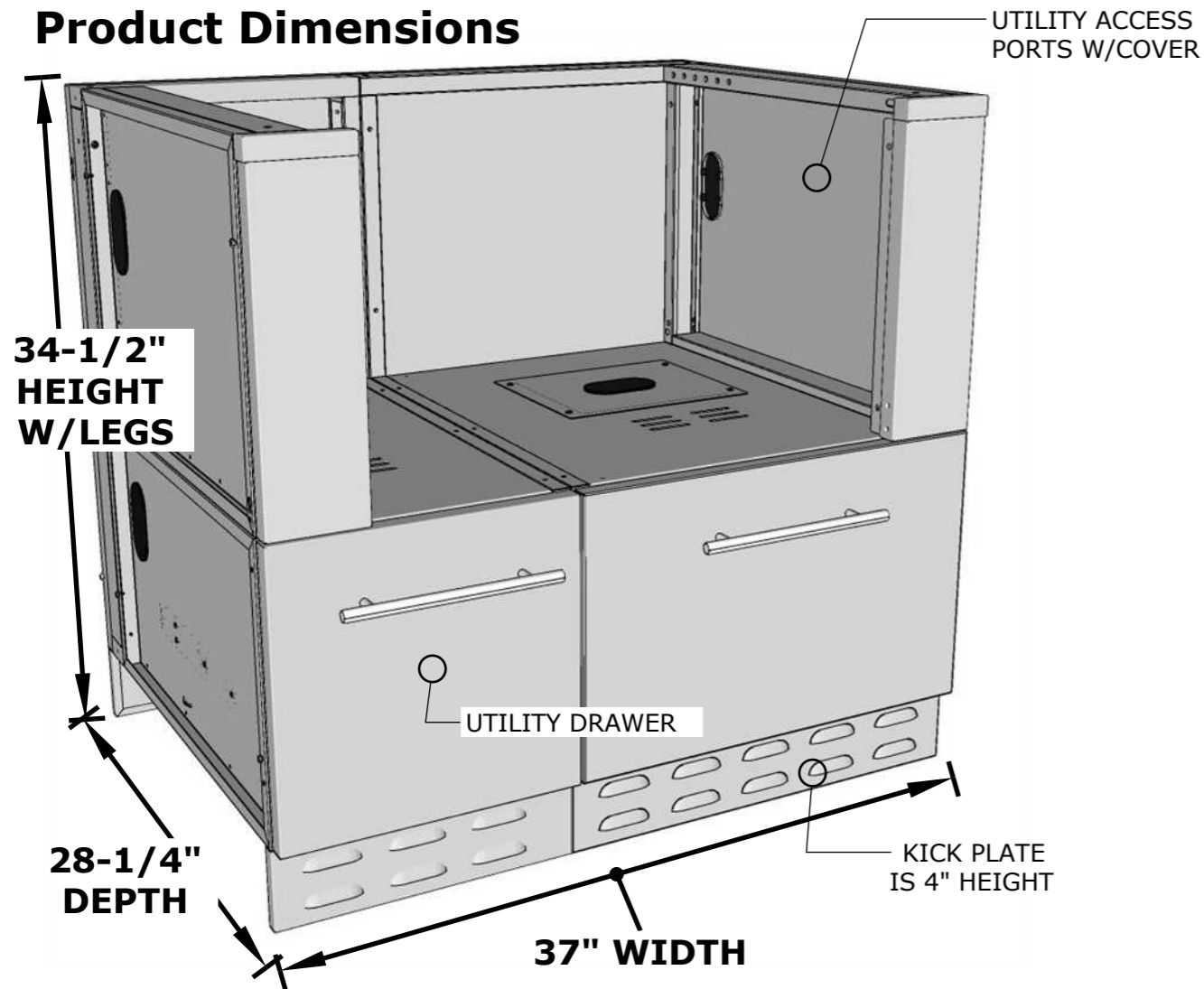
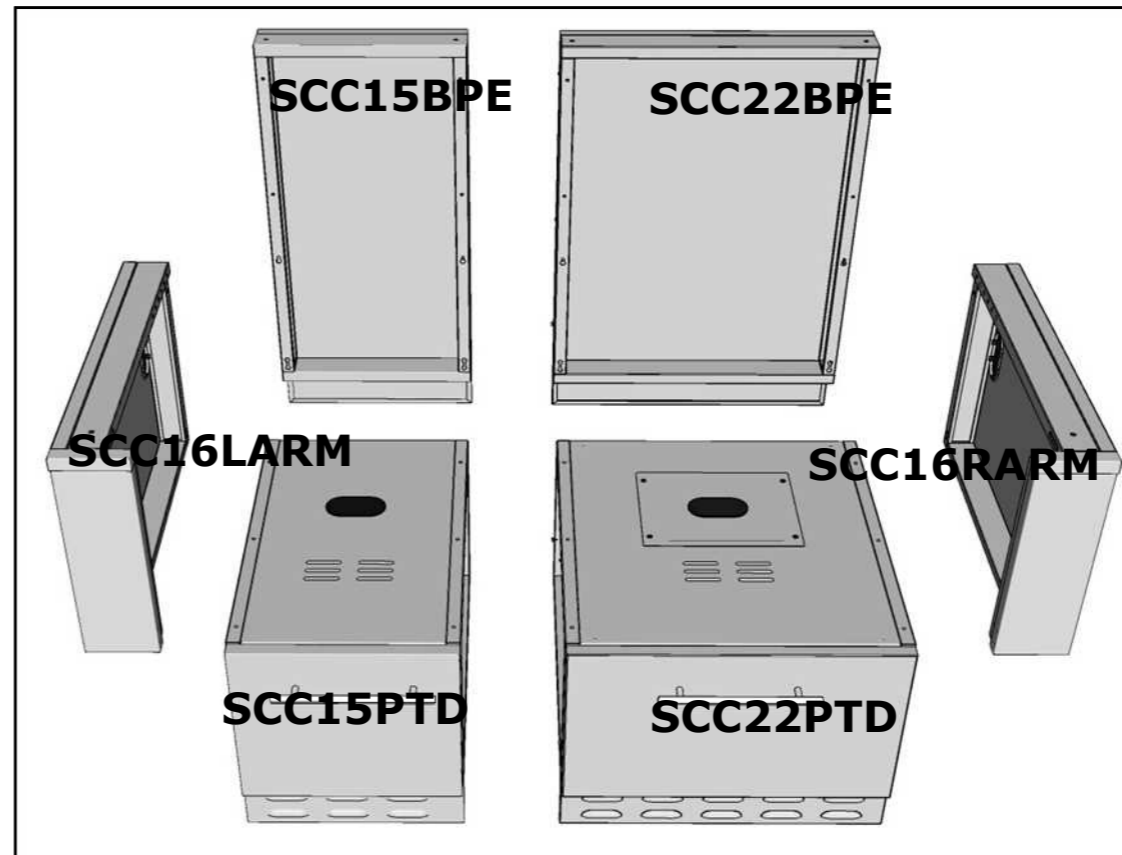


Product Dimensions

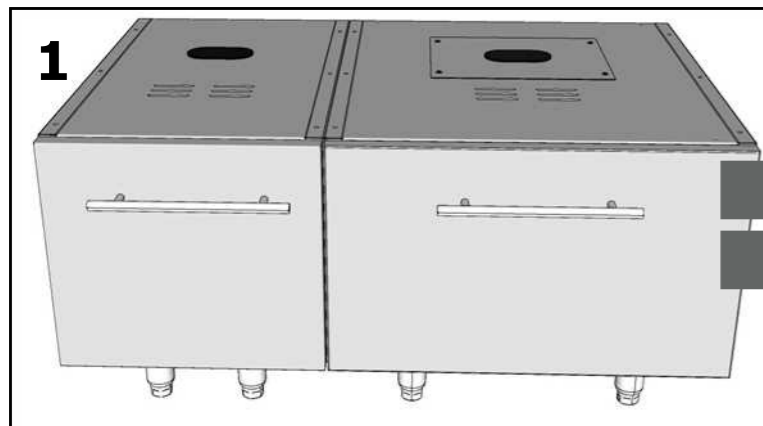


Product Components

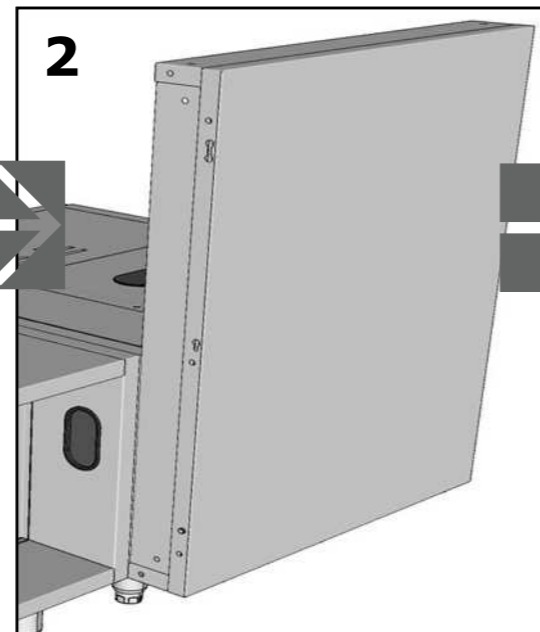


* Reconfigure similar components as you wish into multiple configurations

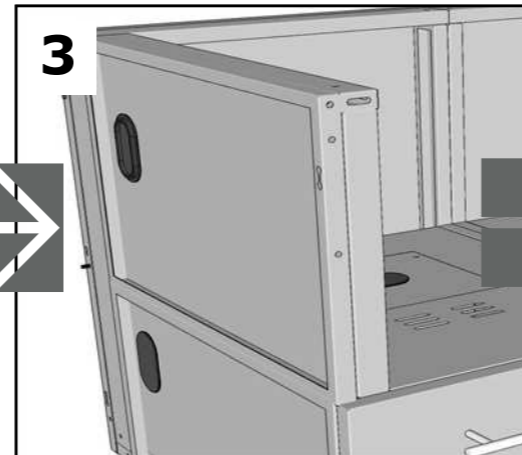
Quick Setup Guide - These Steps are Required to be Completed before connecting cabinet to any adjacent cabinet within your island package.



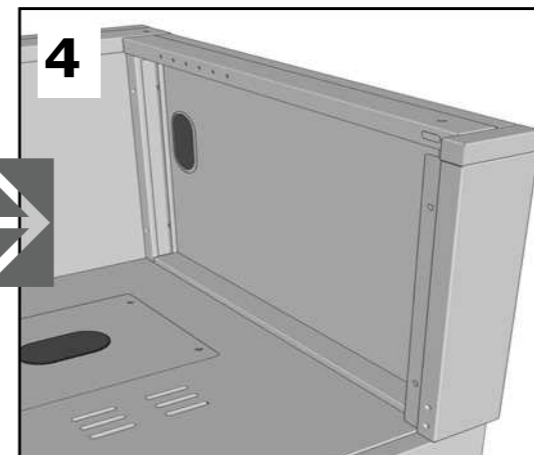
1. Fasten on the included (4) Peg-Legs for the SCC22PTD & SCC15PTD Drawer Bases. Lift and Hinge the cabinets together, then secure with connecting bolts. Fasten on both Handles.



2. Hinge the (2) SCC22BPE cabinet panels to the back connecting (2) SCC22PTD Drawer Bases.



3. Connect each Left and Right Side Arm SCC16LARM & SCC16RARM.



4. Fasten on each Left and Right Side Trim-Kits. Trim-Kits must be installed before cabinet is connected to other opposing cabinets on either side.

SUNSTONE METAL PRODUCTS
16004 CENTRAL COMMERCE DR.
PFLUGERVILLE, TEXAS 78660
Tel: 888.934.9449
Bus: 512.487.5116
Fax: 512.487.7016

PRODUCT

37" Appliance Cabinet
for Hybrid Pellet Grills

Item No. SAC37HGDC

DESCRIPTION

37" Appliance Cabinet

- Lifetime Structure Warranty
- 304 Stainless Steel Structure
- 304 SS Rod Handles
- Front & Back Kick-Plates
- Easy Pin-Lock Installation
- Soft-Close Drawer Tracks
- Covered Access Ports
- Adjustable Peg-Legs
- Optional Wheel Casters

INCLUDED COMPONENTS

- (1) SCC22PTD
- (1) SCC22BPE
- (1) SCC15PTD
- (1) SCC15BPE
- (1) SCC16RARM
- (1) SCC16LARM
- (2) Front Vented Kick Plate
- (2) Back Solid Kick Plate
- (8) Adjustable Peg Legs
- (2) 304 SS Rod Handles

PRODUCT DIMENSIONS

37"W x 28-1/4"D (w/Doors) x 34-1/2"H (w/Legs) or 30-1/2"H (no Legs) or Upto 36" Max Adjustable Height

INSERTABLE PRODUCTS

(See next page Trim Kit Guide for other insertable product Brands)

MATERIAL SPECS

304 Stainless Steel entire structure, 18 Gauge for Door Panel, 18 Gauge for Cabinet Box, 18 Gauge for Shelf, Handles are made of Solid 304 Stainless Steel Bar.

SAC37HGDC TRIM-KIT GUIDE

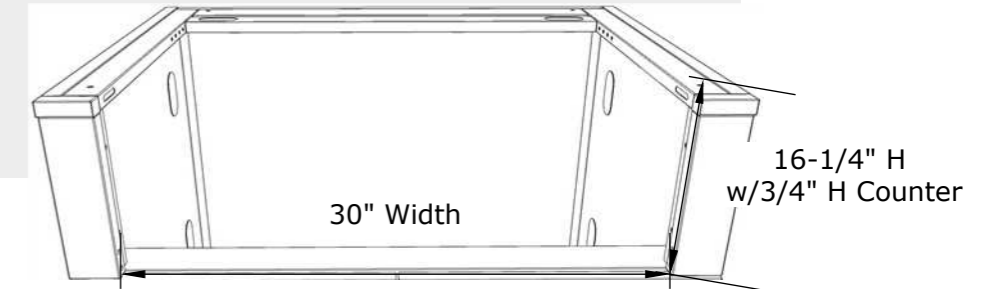
Disclaimer: The trademarks used in the "Product Option" column below belong to their respective owners who do not sponsor nor are they affiliated with Sunstone Metal Products, L.L.C. The specific product Cut-Out Dimensions have not been directly confirmed by any Sunstone Metal Products LLC, representative or employee. Use own discretion to confirm exact product fit.

Model Number	Sleeve Cut-Out	Product Option
SCCHGCTK3	30" Width x 16-1/4" Height w/Rail x 24-1/2" Maximum Depth	No Known Models
SCCHGCTK4.75	27-5/8" Width x 16-1/4" Height x 24-1/2" Maximum Depth	Memphis® 28" Pellet Grill, Coyote® 28" Pellet Grill
SCCHGCTK6.25	24-7/8" Width x 16-1/4" Height w/Rail or 12-3/4" Height wo/Rail x 24-1/2" Maximum Depth	No Known Models

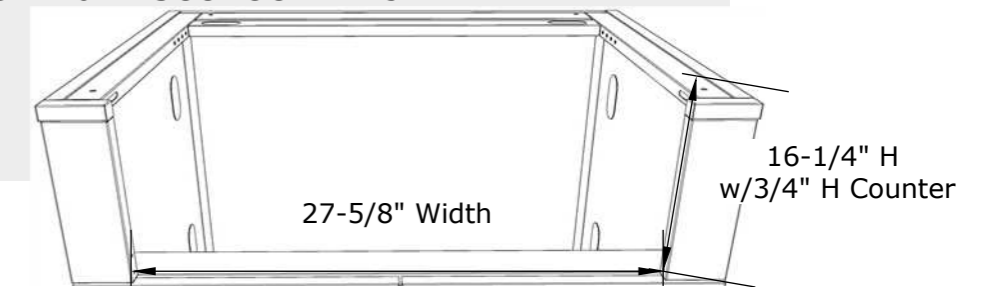
Trim-Kit Sleeve Dimensions

Compatible between 24-7/8 In. Width and 30 In. Width x 16-1/4 In. Height x 24-1/2 In. Depth Max Height with counter at 3/4 In. Height (Additional Height can be adjusted by Removing Bottom Filler Rail or by adding a Thicker Counter or Backer Board)

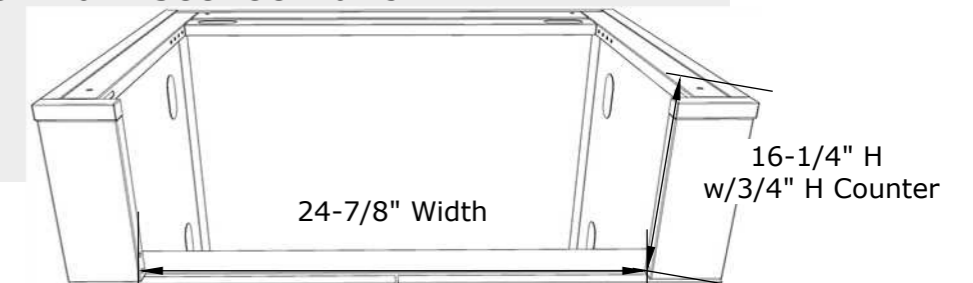
Item No. SCCHGCTK3



Item No. SCCHGCTK4.75

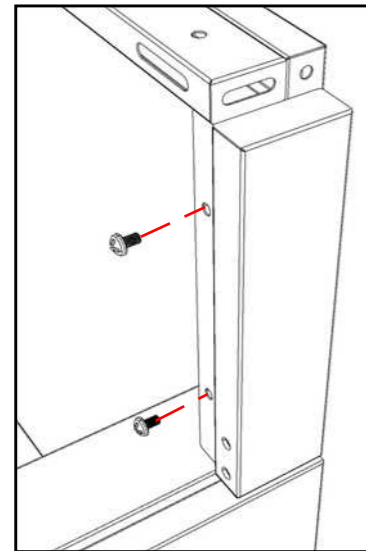


Item No. SCCHGCTK6.25



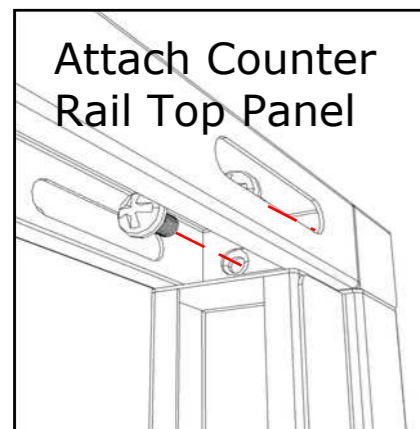
1.

Attach each Trim Kit Panel to each side



2.

Attach Counter Rail Top Panel



CALL OUR TECH. SUPPORT 888-934-9449

