

# SUNSTONE CABINET PACKAGE - THE SAVANA

**Re-Configure how you like\***

**SUNSTONE METAL PRODUCTS**  
 16004 CENTRAL COMMERCE DR.  
 PFLUGERVILLE, TEXAS 78660  
 Tel: 888.934.9449  
 Bus: 512.487.5116  
 Fax: 512.487.7016

**PRODUCT**

Savana 8' 6" length Wet Bar Outdoor Cabinet Package

**Item No.** SCPSAVANA

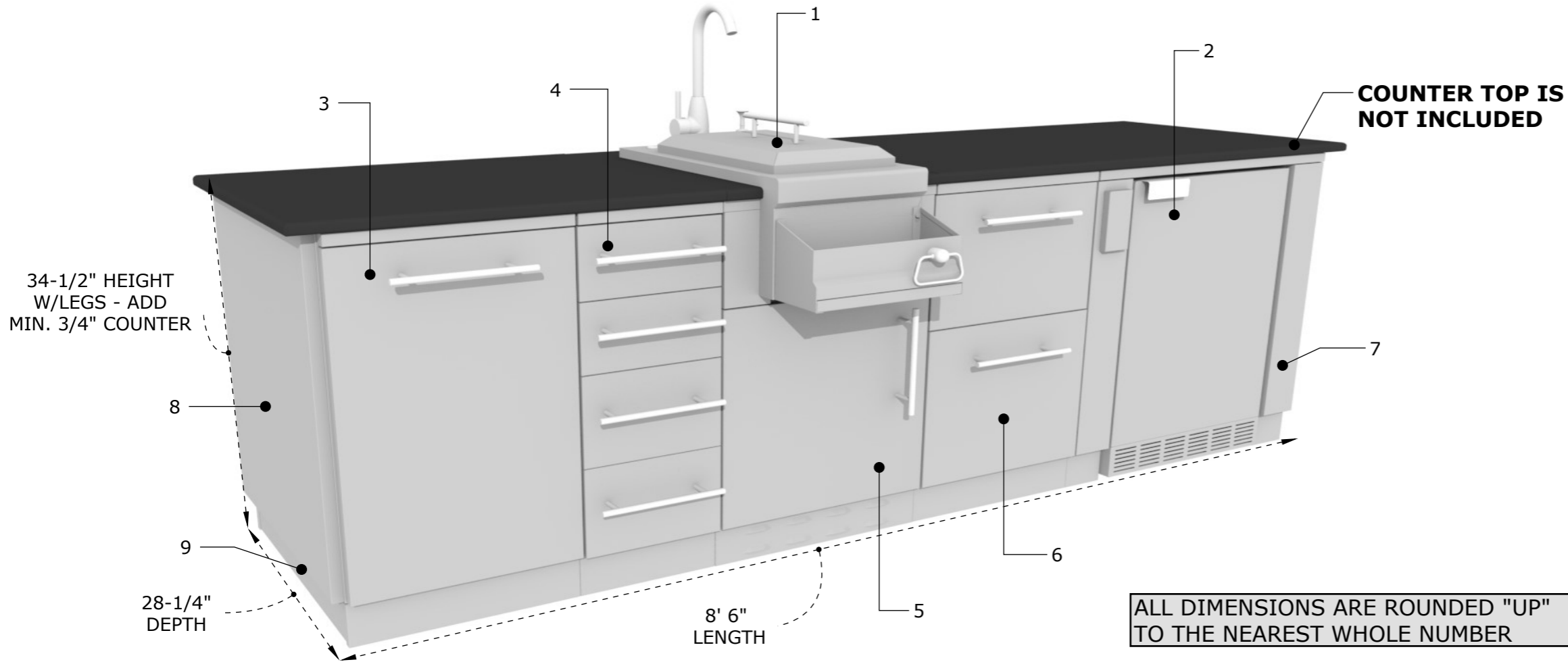
**DESCRIPTION**

The Savana cabinet island package offers a complete outdoor bar solution with lots of ice storage either in the lower cabinet ice chest drawer or the included isolated bar center and outdoor rated refrigerator. The package comes with plenty of useful storage areas along with the full height double trash drawer and included paper towel holder, cutlery drawer with cutting board.

**SPECIFICATIONS**

Length measurement is rounded up to the nearest whole number

8'6" Length (includes 2 x 1" End Panels) x 28-1/4"D (w/Doors) x 34-1/2"H (w/Legs) or 35-3/4"H (w/3/4" Counter)



**Equipment List** - See individual product Specification Sheet for more info.

ITEM	MODEL	DESCRIPTION	QTY.
1	B-RBC14	14" Bar Sink Cocktail Ice Chest Station	1
2	SAPFR21PRO	21" Outdoor Rated Refrigerator	1
3	SBC18STRD	18" Trash Drawer Cabinet	1
4	SBC12SMD	12" Multi-Drawer Cabinet	1
5	SAC20CSDL	20" Left Swing Appliance Bas Cabinet	1
6	SBC18DPIC	18" Ice Chest Combo Drawer Cabinet	1
7	SAC30APC	30" Appliance Cabinet (3 Individual Parts)	1
8	SCC27EP	27" Universal End Panel	2
9	SCC25KP	25" Universal Side Kickplate	2