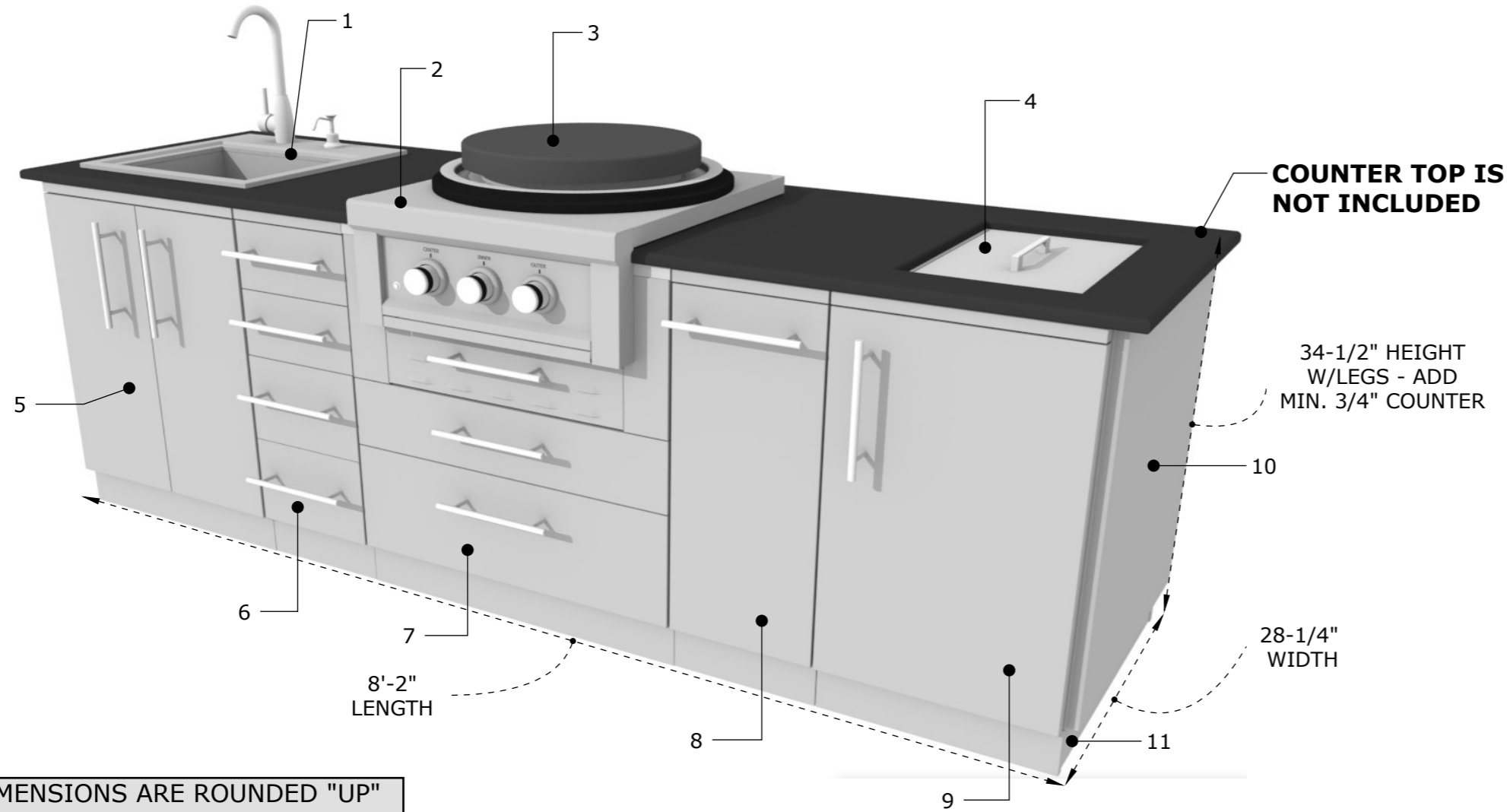


SUNSTONE CABINET PACKAGE - THE MONGO

Re-Configure how you like*



ALL DIMENSIONS ARE ROUNDED "UP" TO THE NEAREST WHOLE NUMBER

SUNSTONE METAL PRODUCTS
 16004 CENTRAL COMMERCE DR.
 PFLUGERVILLE, TEXAS 78660
 Tel: 888.934.9449
 Bus: 512.487.5116
 Fax: 512.487.7016

PRODUCT
 Mongo 8' 2" Griddle top, Sink & Ice Chest Island Package

Item No. SCPCAPRICE

DESCRIPTION
 The Mongo is an 8 foot length outdoor cabinet package centered with our Cirque Power Burner and topped with the larger solid steel griddle for true Mongolian style cooking. For prep and clean there is a large sink with cutting board and deep ice chest for chilled drinks.

SPECIFICATIONS
 Length measurement is rounded up to the nearest whole number
 8'2" Length (includes 2 x 1" End Panels) x 28-1/4"D (w/Doors) x 34-1/2"H (w/Legs) or 35-3/4"H (w/3/4" Counter)

Equipment List - See individual product Specification Sheet for more info.

| ITEM | MODEL | DESCRIPTION | QTY. |
|------|------------------|---|------|
| 1 | B-PS21 | 21" Premium Sink w/Faucet and Cutting Board | 1 |
| 2 | SUN24PCB | 24" Power Cirque Burner | 1 |
| 3 | SUN24PCB-Griddle | 19" Dia. Solid Steel Griddle | 1 |
| 4 | B-IC14 | 14" Over/Under Ice Chest | 1 |
| 5 | SBC24FDD | 24" Combo Sink Base Cabinet | 1 |
| 6 | SBC12SMD | 12" Multi-Drawer Storage Cabinet | 1 |
| 7 | SAC30KBDC | 30" Hybrid Power Burner Base Cabinet | 1 |
| 8 | SBC12SSRD | 12" Spice Rack Drawer | 1 |
| 9 | SBC18FSDR | 18" Right Swing Full Height Base Cabinet | 1 |
| 10 | SCC27EP | 27" Universal End Panel | 2 |
| 11 | SCC25KP | 25" Universal Side Kickplate | 2 |