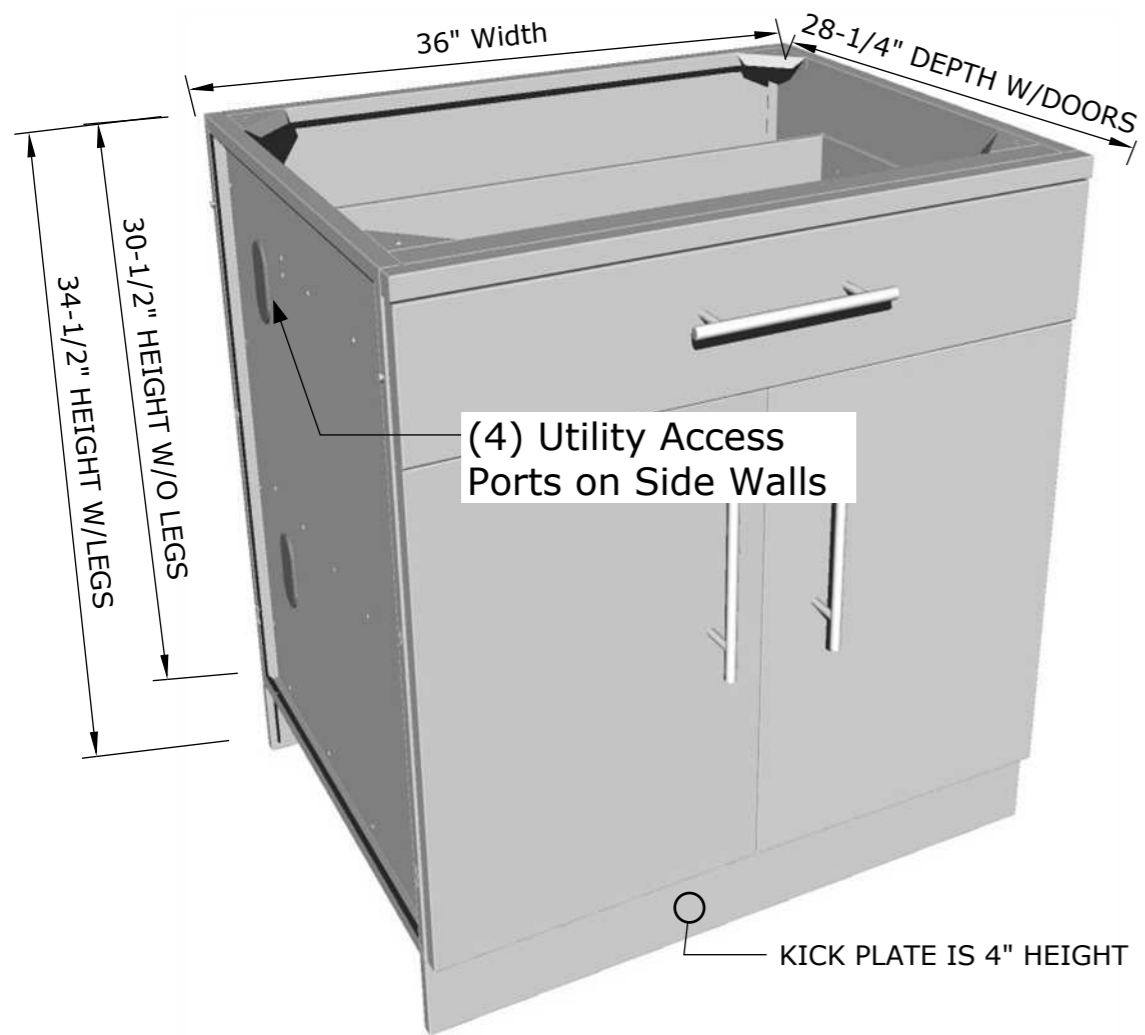
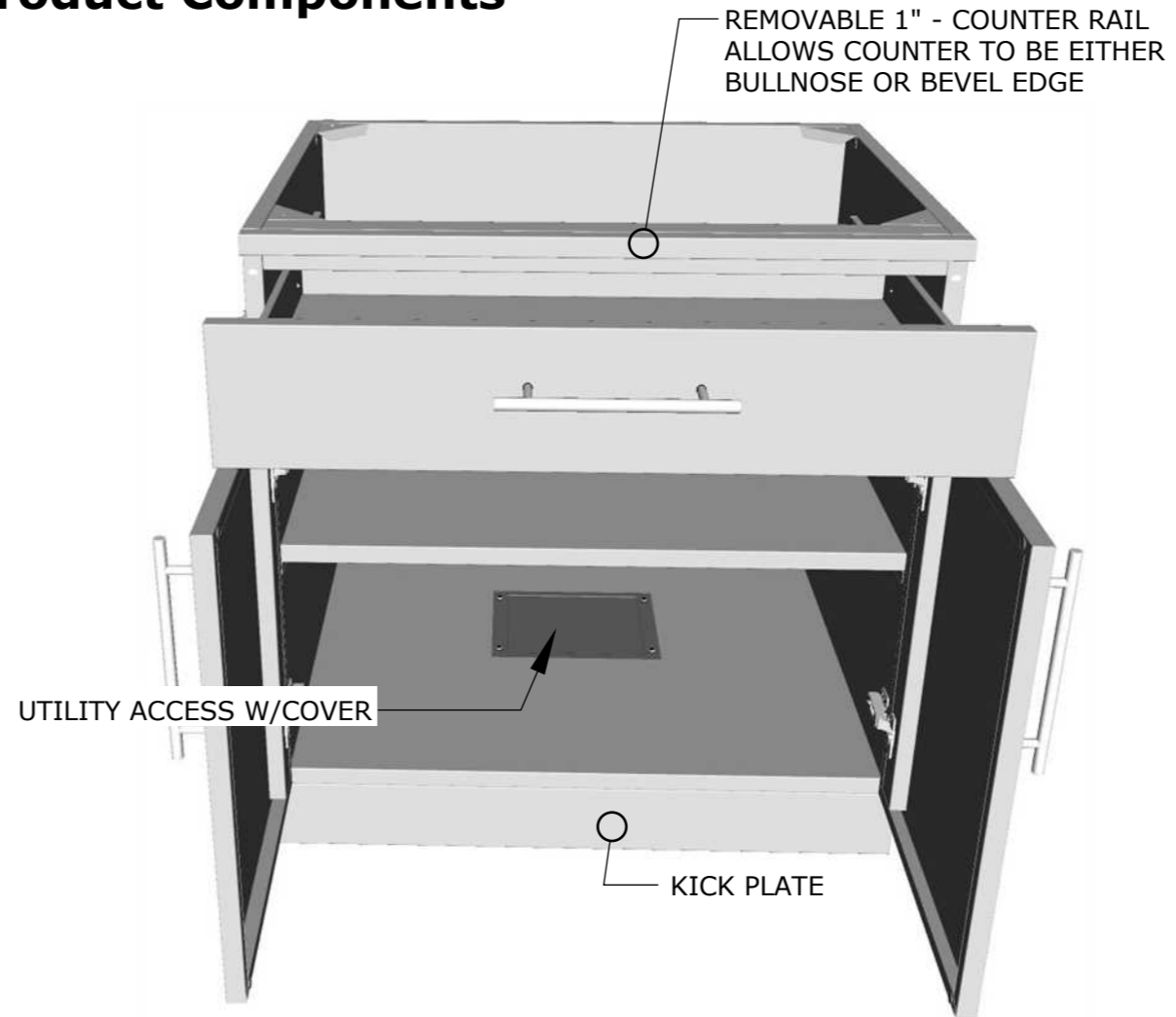


Product Dimensions



Product Components



SUNSTONE METAL PRODUCTS
16004 CENTRAL COMMERCE DR.
PFLUGERVILLE, TEXAS 78660
Tel: 888.934.9449
Bus: 512.487.5116
Fax: 512.487.7016

PRODUCT

36" Double Door Cabinet
w/Shelf & Drawer or False Top
Panel

Item No. SBC36CDD

DESCRIPTION

36" Double Door Cabinet with
Shelf and Top Drawer or False
Top Panel.

- Lifetime Structure Warranty
- 304 Stainless Steel Structure
- 304 SS Rod Handles
- Front & Back Kick-Plates
- Easy Pin-Lock Installation
- Soft-Close Drawer Tracks
- Covered Access Ports
- Adjustable Peg-Legs
- Optional Wheel Casters

INCLUDED COMPONENTS

- Front Kick Plates
- Back Solid Kick Plate
- 6" Height False Panel
- (4) Adjustable Peg Legs
- Center Shelf
- 6" Height Top Drawer
- Removable Cabinet Shelf

PRODUCT DIMENSIONS

36"W x 28-1/4"D (w/Doors) x 34-1/2"H (w/Legs) or 30-1/2"H (no Legs) or Upto 36" Max Adjustable Height

INSERT DIMENSIONS

34"Width x 18"Depth

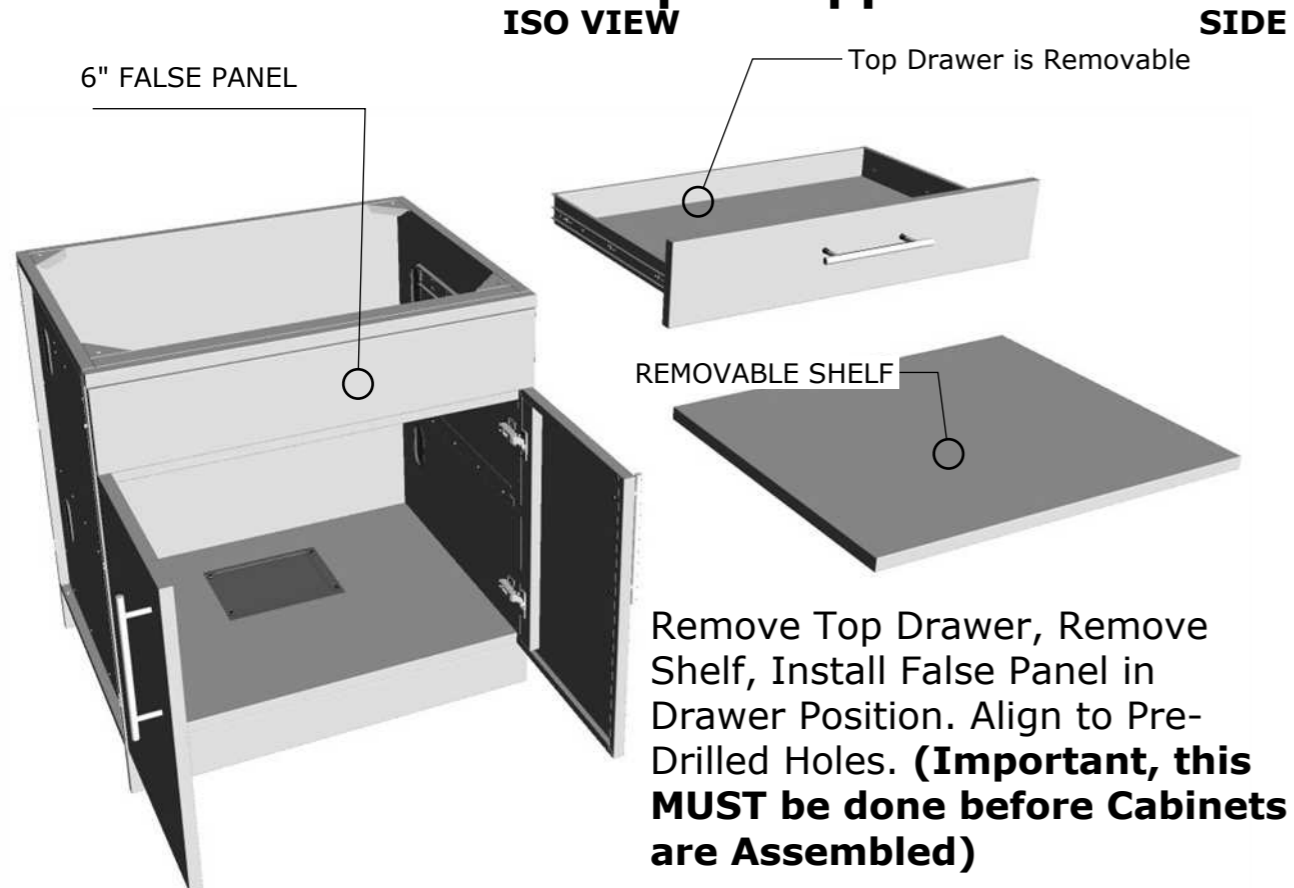
INSERTABLE PRODUCTS

Single Side Burner - 1SSB
Premium Sink - B-PS21
Standard Sink - A-SS17
Drop-In Ice Chest - A-IC
Over/Under Sink - B-SK34
Over/Under Sink - B-SK20

MATERIAL SPECS

304 Stainless Steel entire structure, 18 Gauge for Door Panel, 18 Gauge for Cabinet Box, 18 Gauge for Shelf, Handles are made of Solid 304 Stainless Steel Bar.

Cabinet Conversion for Drop-In Appliance



SIDE VIEW

TOP VIEW

