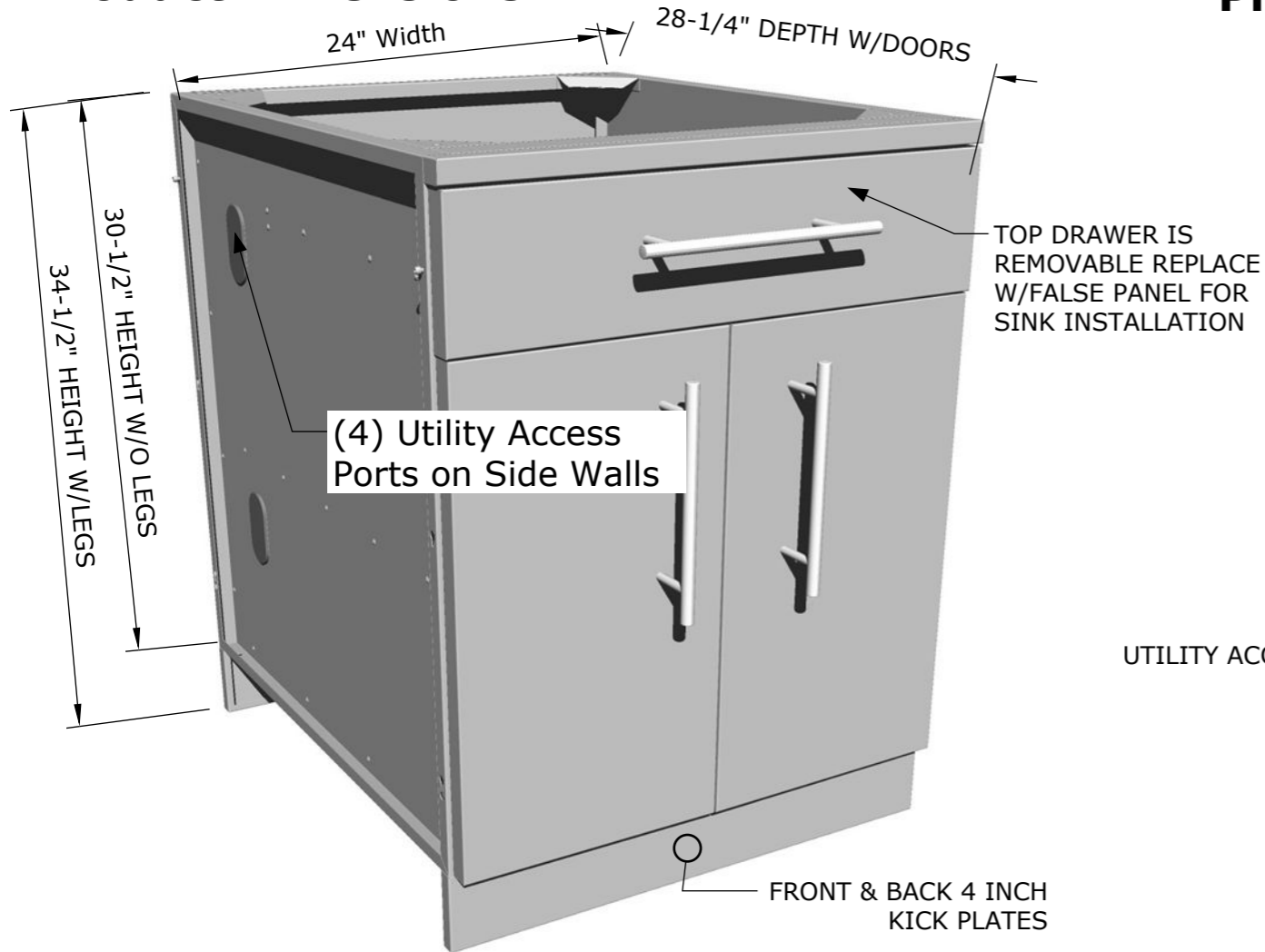
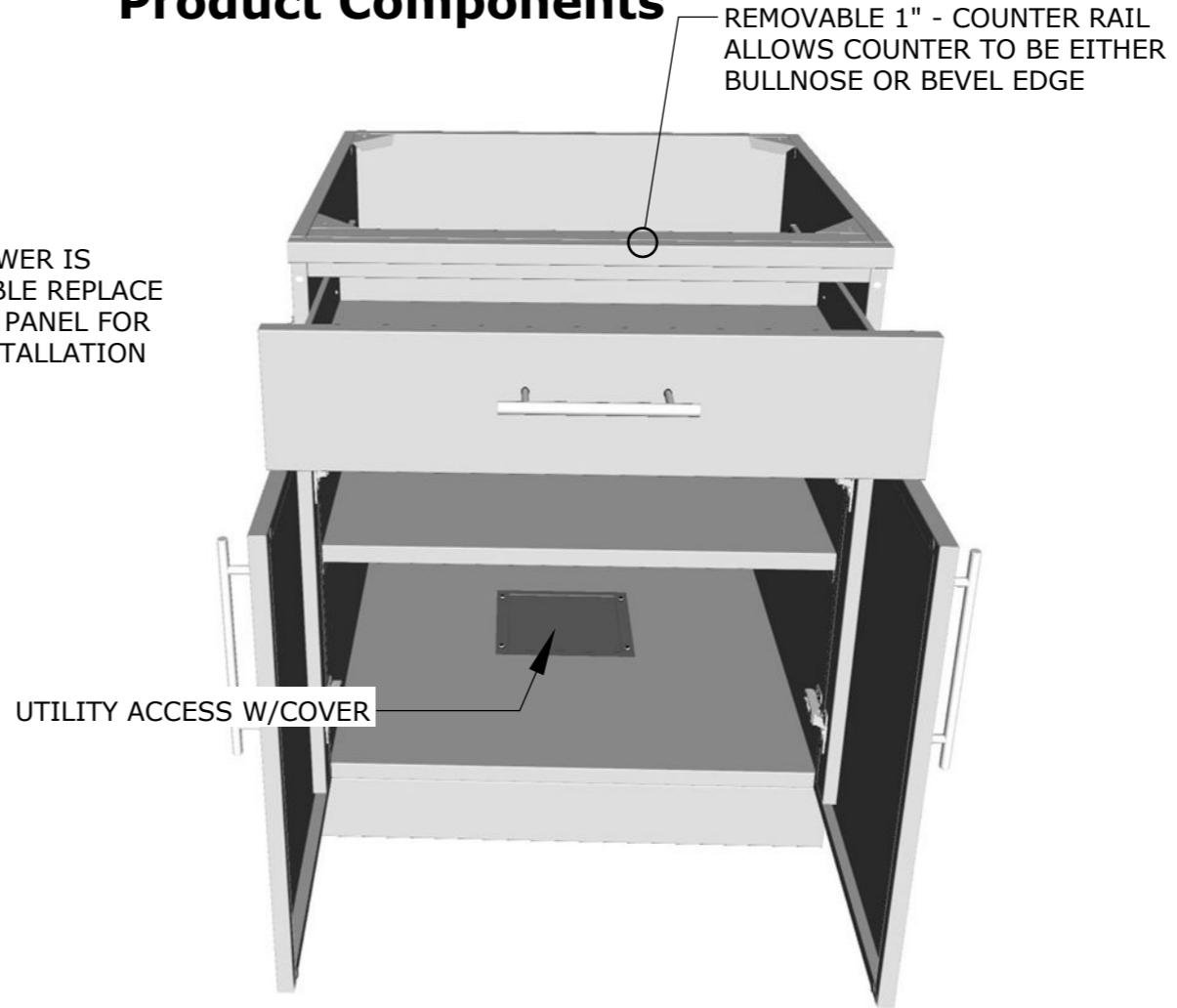


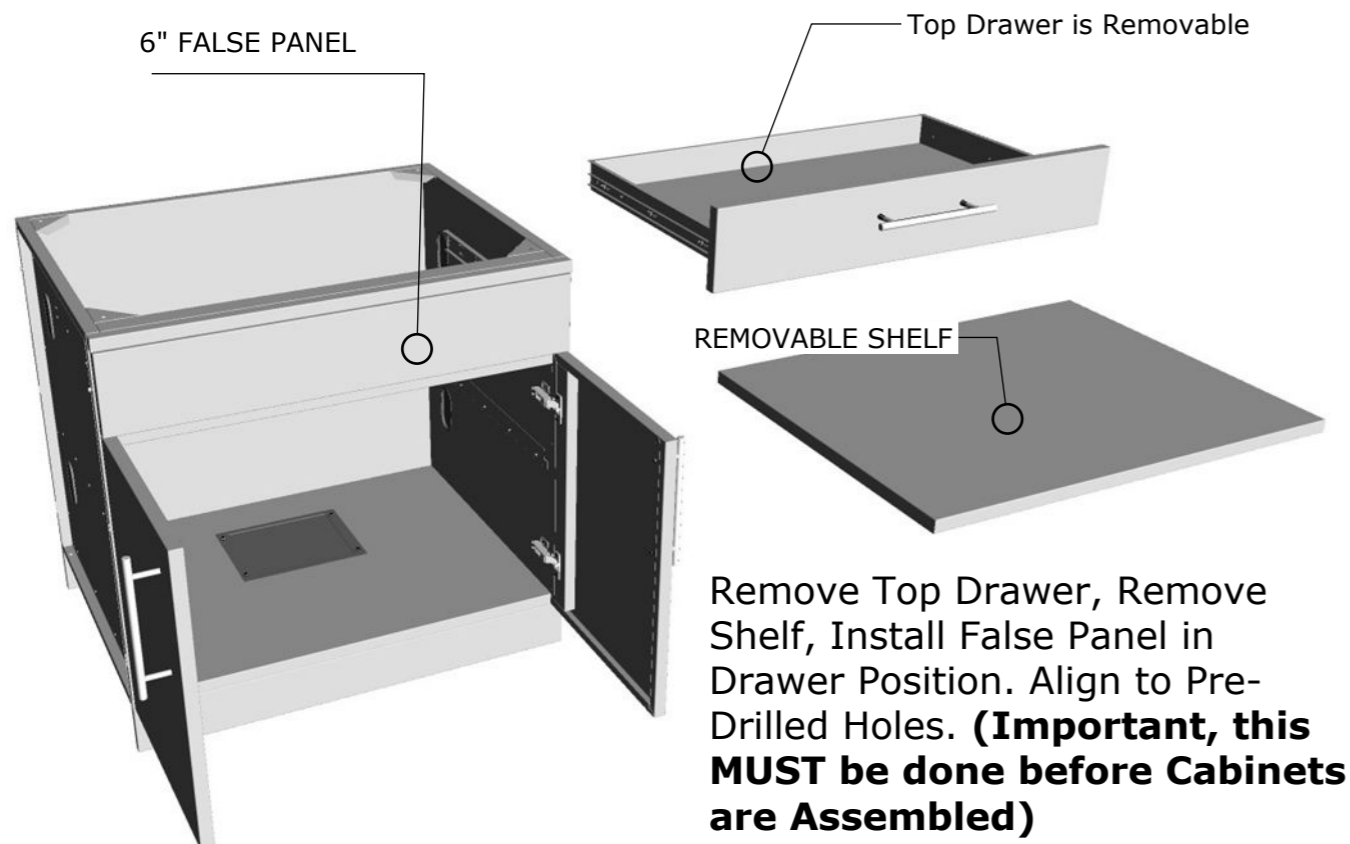
Product Dimensions



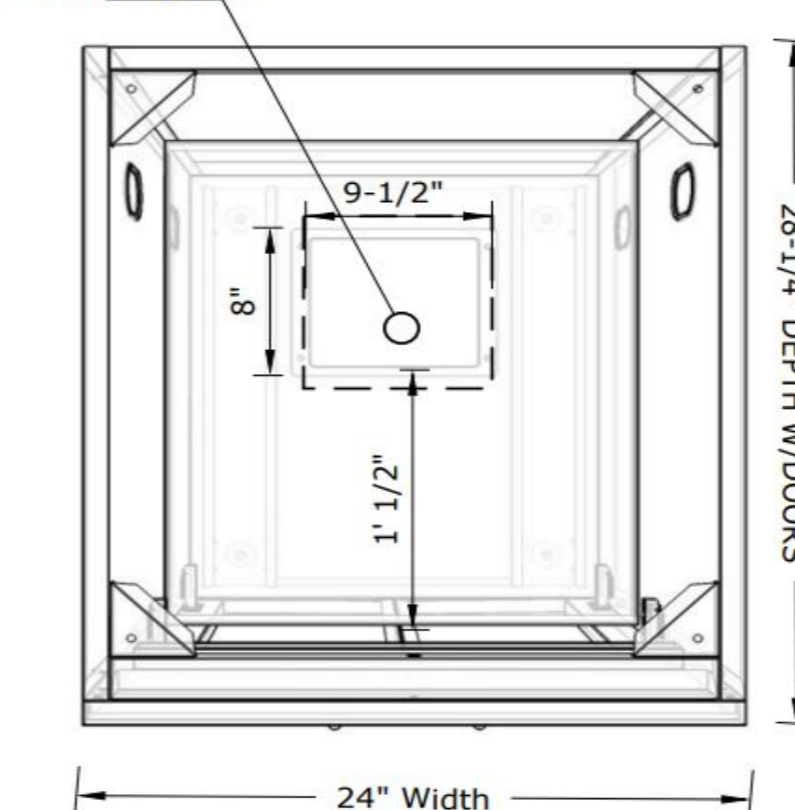
Product Components



Cabinet Conversion for Drop-In Appliance



TOP VIEW



SUNSTONE®

SUNSTONE METAL PRODUCTS
 16004 CENTRAL COMMERCE DR.
 PFLUGERVILLE, TEXAS 78660
 Tel: 888.934.9449

PRODUCT

24" Double Door Cabinet w/Shelf, Drawer & False Top Panel Option
Item No. SBC24CDD

DESCRIPTION

24" Double Door Cabinet with Top Drawer/Shelf & optional False Panel

- Lifetime Structure Warranty
- 304 Stainless Steel Structure
- 304 SS Rod Handles
- Front & Back Kick-Plates
- Easy Pin-Lock Installation
- Soft-Close Drawer Tracks
- Covered Access Ports
- Adjustable Peg-Legs
- Optional Wheel Casters

INCLUDED COMPONENTS

- Front Kick Plates
- Back Solid Kick Plate
- (4) Adjustable Peg Legs
- Center Shelf

PRODUCT DIMENSIONS

24"W x 28-1/4"D (w/Doors) x 34-1/2"H (w/Legs) or 30-1/2"H (no Legs) or Upto 36" Max Adjustable Height

INSERT DIMENSIONS

22"Width x 18"Depth

INSERTABLE PRODUCTS

Side Burner - SUN13SSB
 Premium Sink - B-PS21
 Standard Sink - A-SS17
 Ice Chest - B-IC14

MATERIAL SPECS

304 Stainless Steel entire structure, 18 Gauge for Door Panel, 18 Gauge for Cabinet Box, 18 Gauge for Shelf, Handles are made of Solid 304 Stainless Steel Bar.