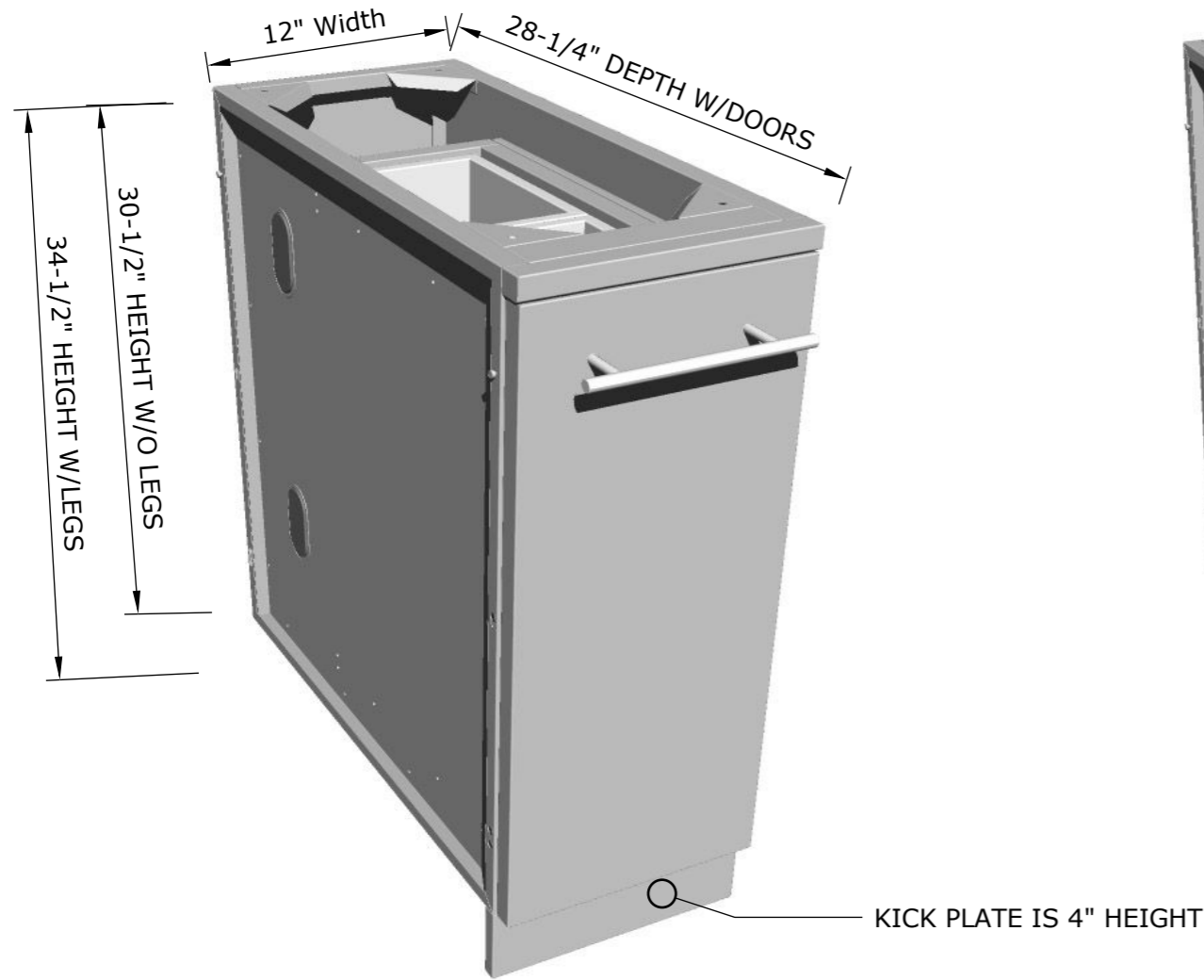
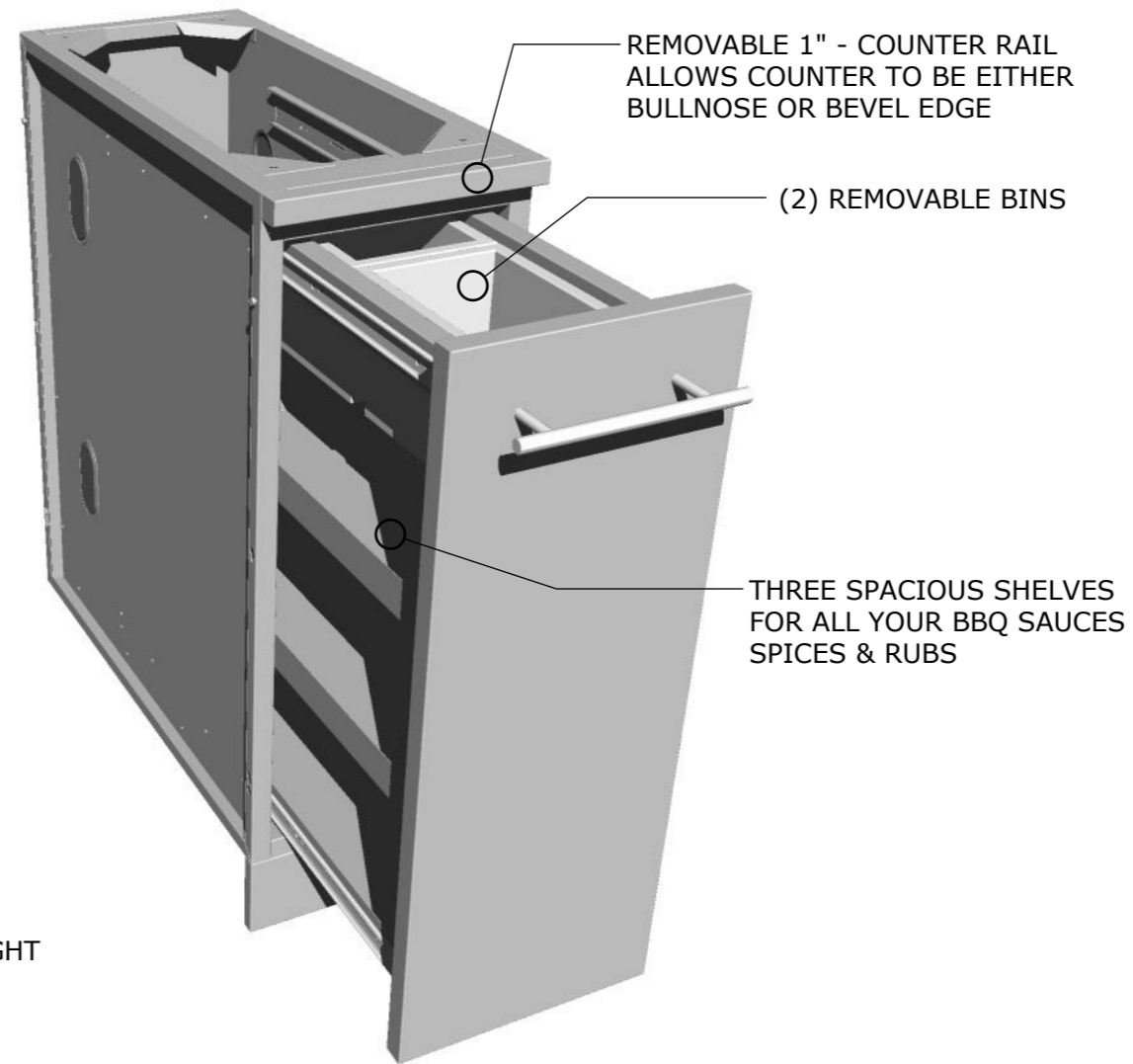


Product Dimensions

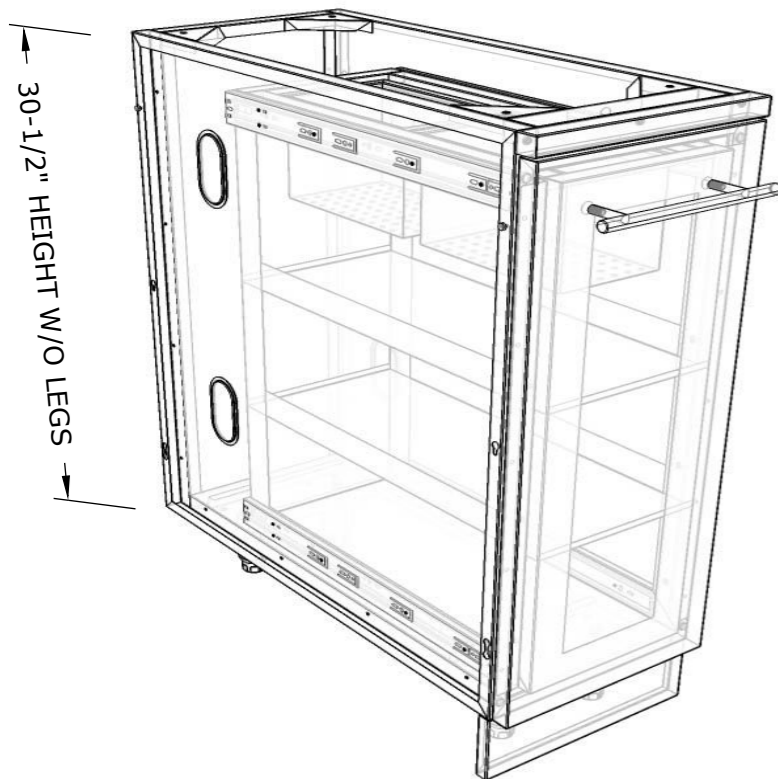


Product Components

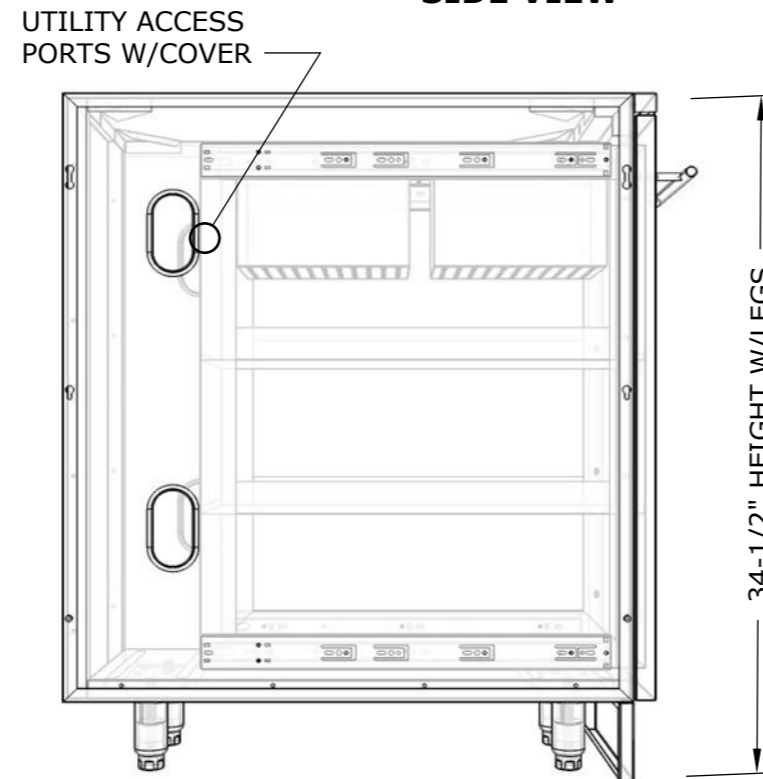


Product Diagrams

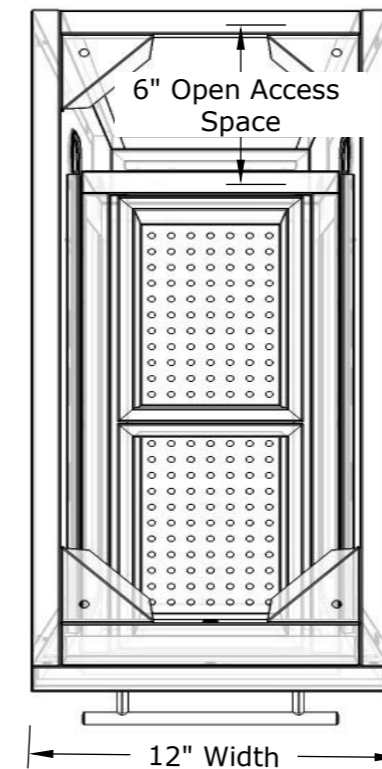
ISO VIEW



SIDE VIEW



TOP VIEW



SUNSTONE METAL PRODUCTS
 16004 CENTRAL COMMERCE DR.
 PFLUGERVILLE, TEXAS 78660
 Tel: 888.934.9449
 Bus: 512.487.5116
 Fax: 512.487.7016

PRODUCT

12" Spice Rack Drawer
 w/Two Removable Bins

Item No. SBC12SSRD

DESCRIPTION

12" Spice Rack Drawer with Two Top Removable Bins and Three Lower Shelves

- Lifetime Structure Warranty
- 304 Stainless Steel Structure
- 304 SS Rod Handles
- Front & Back Kick-Plates
- Easy Pin-Lock Installation
- Soft-Close Drawer Tracks
- Covered Access Ports
- Adjustable Peg-Legs
- Optional Wheel Casters

INCLUDED COMPONENTS

- Front Kick Plate
- Back Kick Plate
- (4) Adjustable Peg Legs
- (2) Condiment Top Baskets

PRODUCT DIMENSIONS

12"W x 28-1/4"D (w/Drawer) x
 34-1/2"H (w/Legs) or 30-1/2"H
 (no Legs) or Upto 36" Max
 Adjustable Height

INSERT DIMENSIONS

NONE

INSERTABLE PRODUCTS

NONE

MATERIAL SPECS

304 Stainless Steel entire structure, 18 Gauge for Door Panel, 18 Gauge for Cabinet Box, 18 Gauge for Shelf, Handles are made of Solid 304 Stainless Steel Bar.