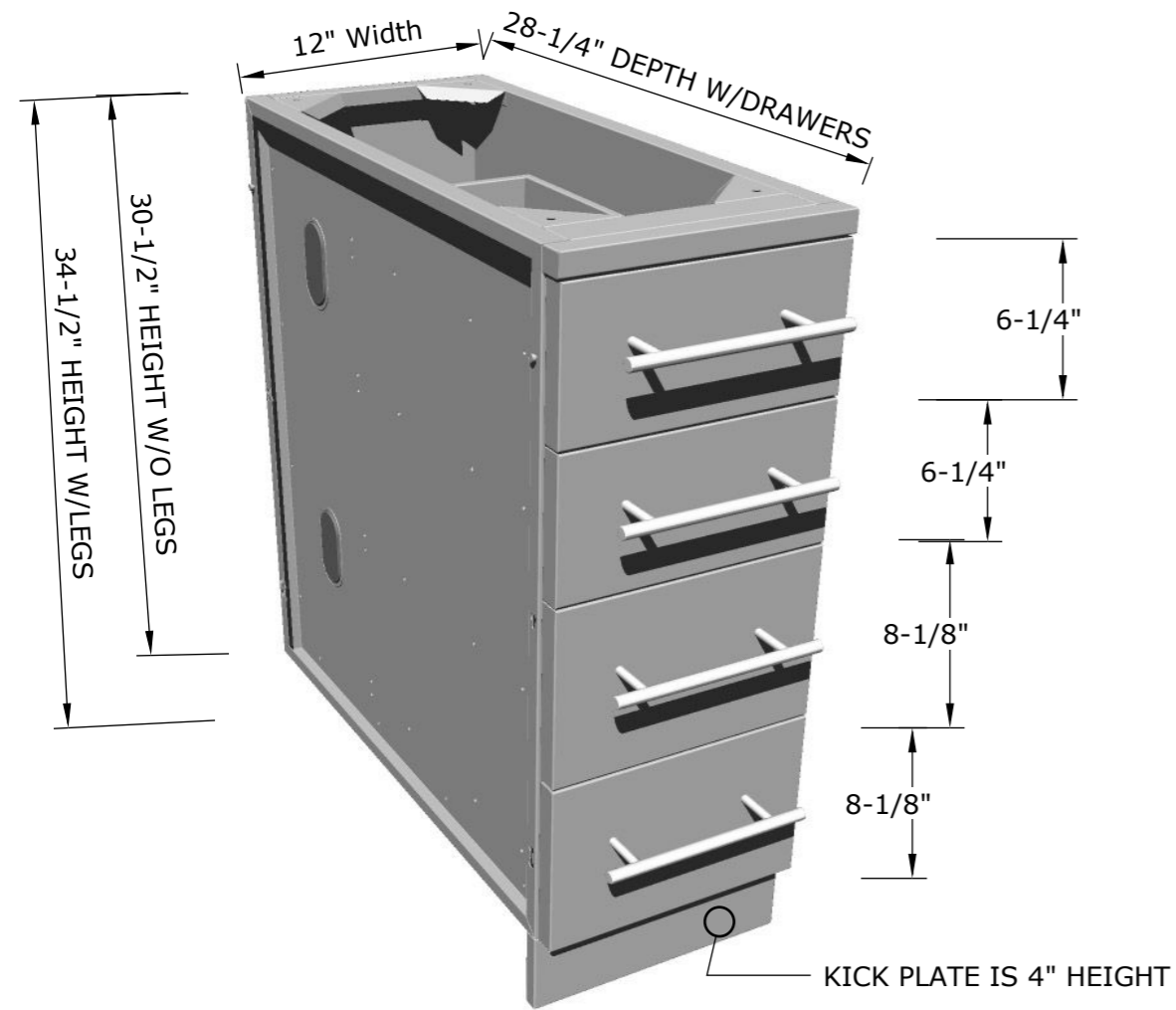
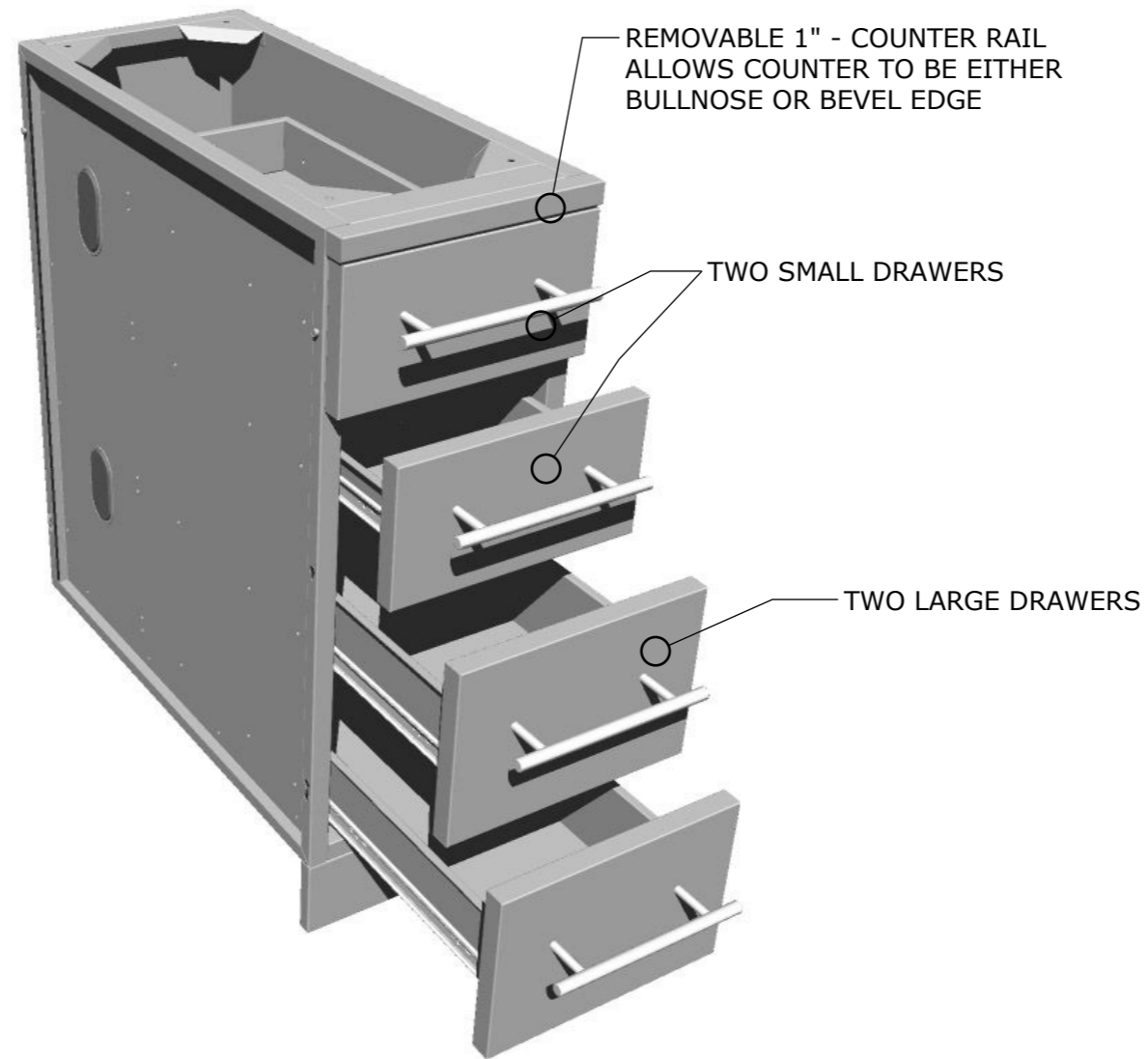


Product Dimensions



Product Components



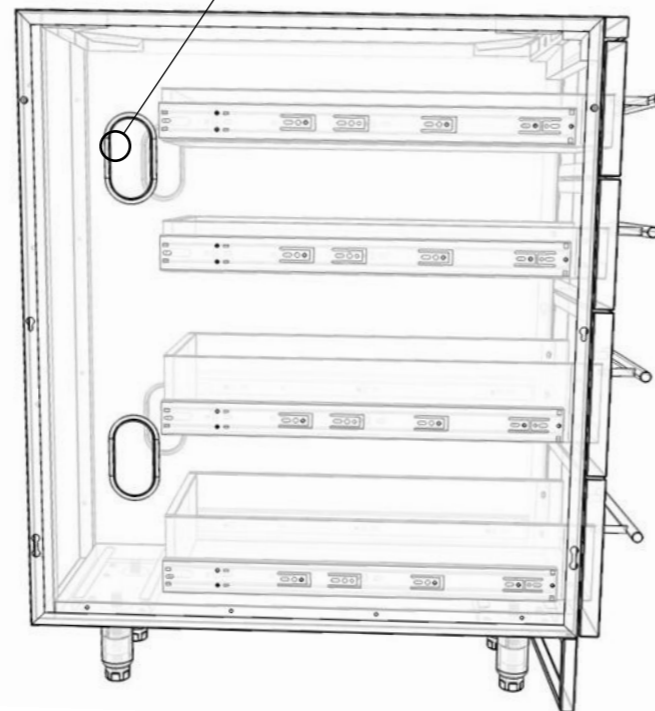
Product Diagrams

ISO VIEW

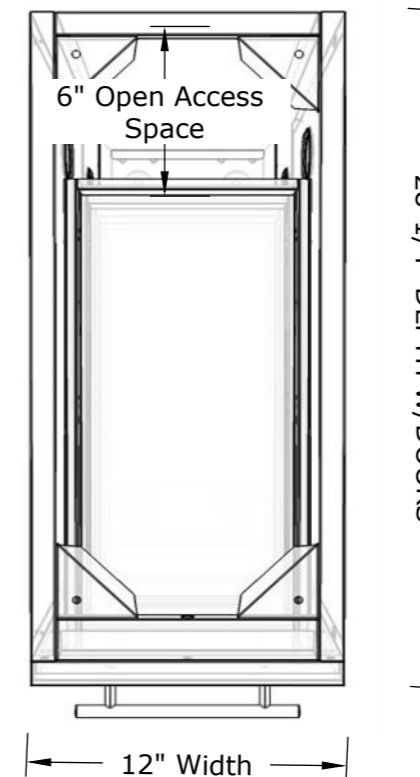


UTILITY ACCESS PORTS W/COVER

SIDE VIEW



TOP VIEW



SUNSTONE METAL PRODUCTS
 16004 CENTRAL COMMERCE DR.
 PFLUGERVILLE, TEXAS 78660
 Tel: 888.934.9449
 Bus: 512.487.5116
 Fax: 512.487.7016

PRODUCT

12" 4 Multi Drawer Base Cabinet

Item No. SBC12SMD

DESCRIPTION

12" 4 Multi Drawer Base Cabinet

- Lifetime Structure Warranty
- 304 Stainless Steel Structure
- 304 SS Rod Handles
- Front & Back Kick-Plates
- Easy Pin-Lock Installation
- Soft-Close Drawer Tracks
- Covered Access Ports
- Adjustable Peg-Legs
- Optional Wheel Casters

INCLUDED COMPONENTS

- Front Kick Plates
- Back Solid Kick Plate
- (4) Adjustable Peg Legs

PRODUCT DIMENSIONS

12"W x 28-1/4"D (w/Drawers) x
 34-1/2"H (w/Legs) or 30-1/2"H
 (no Legs) or Upto 36" Max
 Adjustable Height

INSERT DIMENSIONS

NONE

INSERTABLE PRODUCTS

NONE

MATERIAL SPECS

304 Stainless Steel entire structure, 18 Gauge for Door Panel, 18 Gauge for Cabinet Box, 18 Gauge for Shelf, Handles are made of Solid 304 Stainless Steel Bar.