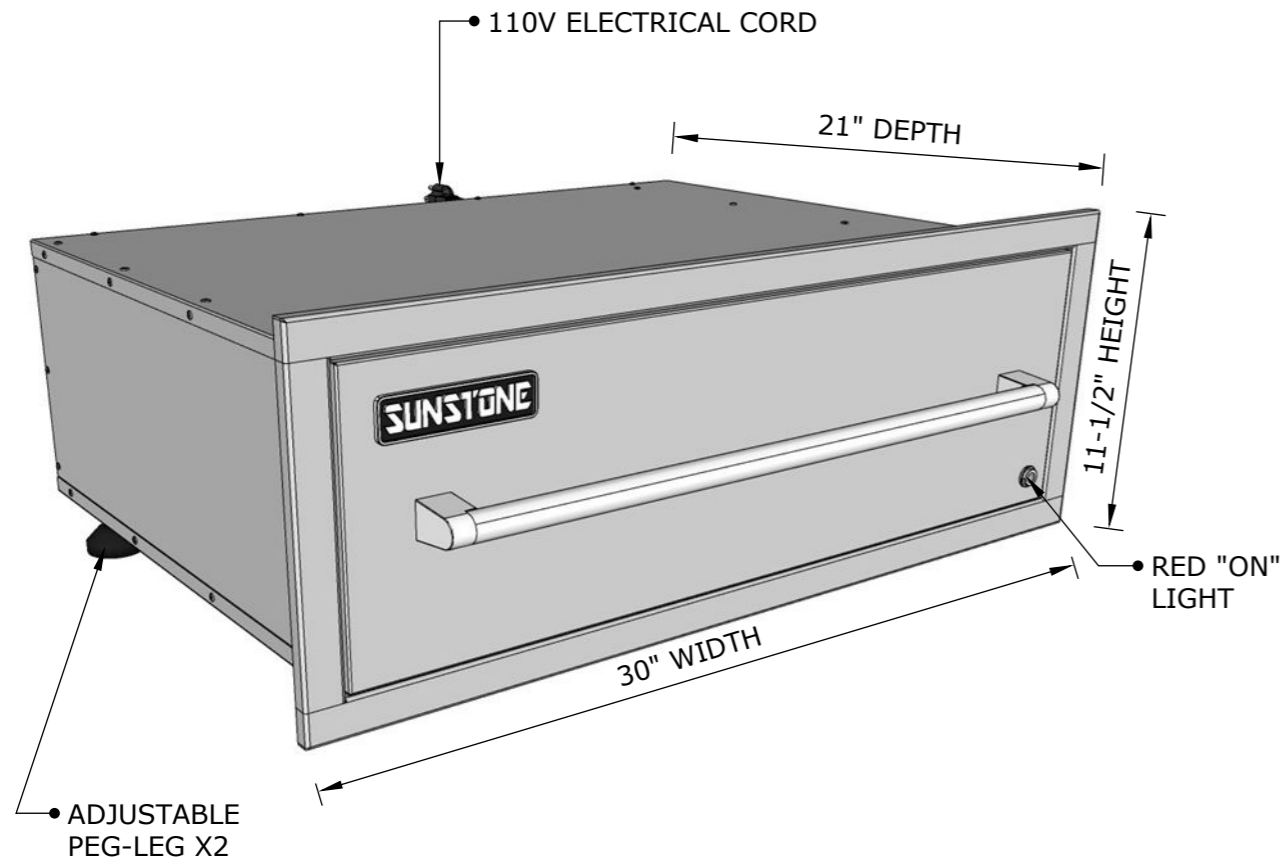
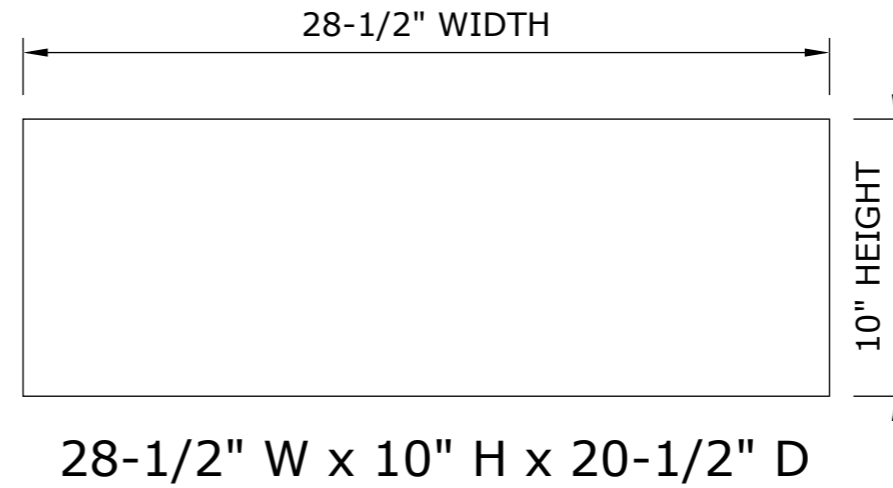


Product Dimensions



Cut-out Dimensions



SUNSTONE®

SUNSTONE METAL PRODUCTS
 16004 CENTRAL COMMERCE DR.
 PFLUGERVILLE, TEXAS 78660
 Tel: 888.934.9449

PRODUCT

30" Warming Drawer - 110V Electrical

Item No. SAP30WDPRO

- Lifetime Structure Warranty
- 3 Year Parts Warranty
- 304 Stainless Steel Structure
- Digital Temperature Display
- Digital Control Panel
- Stackable Warming Drawers
- Adjustable Peg-Legs
- Sealed Weather Stripping
- Designer Drawer Face Upgrade
- 110V Electrical

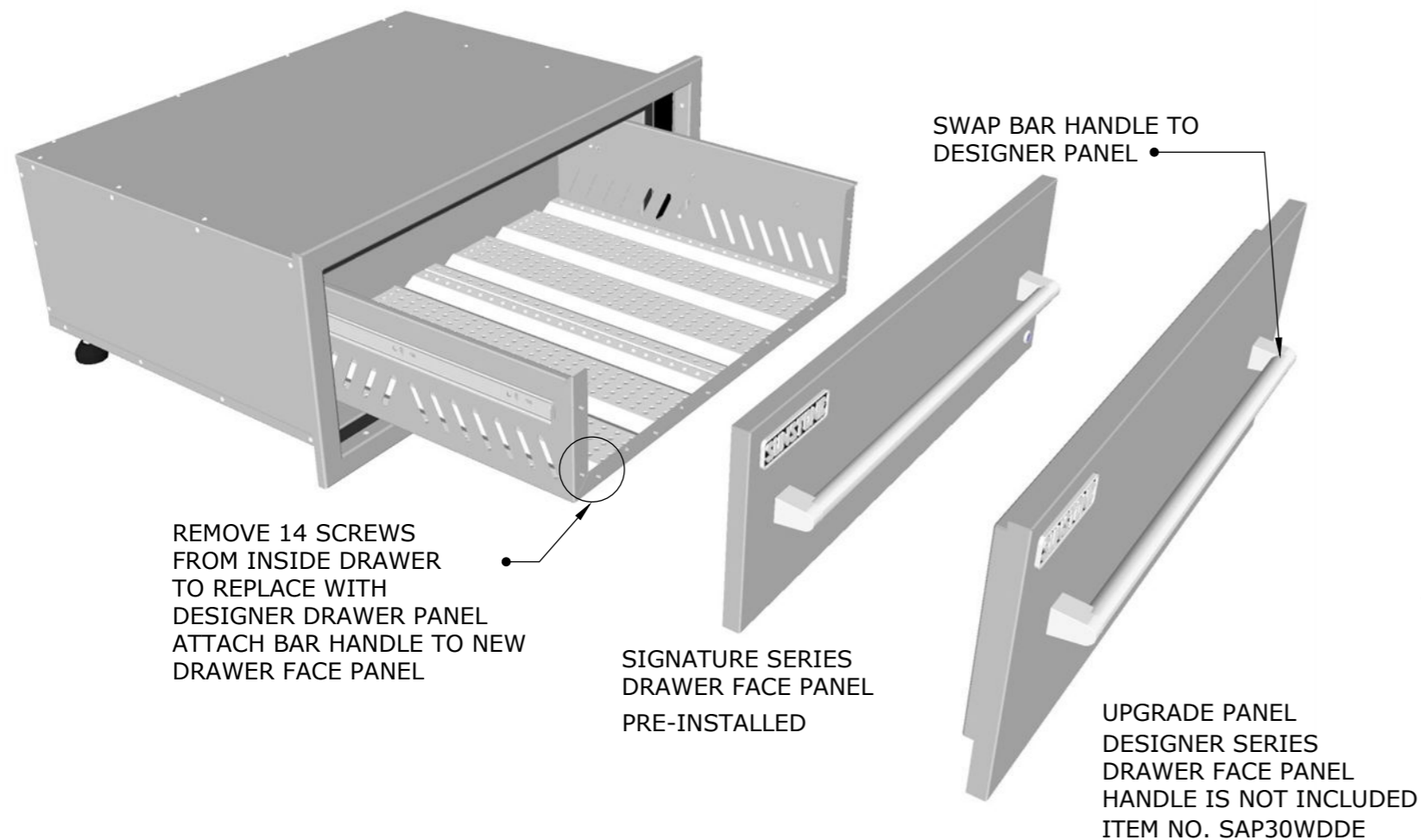
PRODUCT DIMENSIONS

Product Size: 30"W x 11-1/2"H x 21"D
 Cut-Out Size: 28-1/2"W x 10"H x 20-1/2"D

MATERIAL SPECS

304 Stainless Steel for the Entire Structure, 304 SS Rod Handles

Product Configurations - Designer Series Drawer Face UPGRADE



UPGRADE TO DESIGNER SERIES DRAWER FACE PANEL TO MATCH WITH OTHER SIMILAR COMPONENTS

1. PULL DRAWER OUT OF WARMING DRAWER
2. REMOVE INCLUDED FACE PANEL BY UNSCREWING INSIDE FACE 14 SCREWS
3. SWAP FOR DESIGNER FACE PANEL AND FASTEN BACK IN ALL 14 SCREWS
4. REMOVE BAR HANDLE FROM INCLUDED DRAWER FACE AND MOUNT TO DESIGNER DRAWER FACE PANEL

PEG-LEGS SCREW INTO BASE OF WARMING DRAWER

