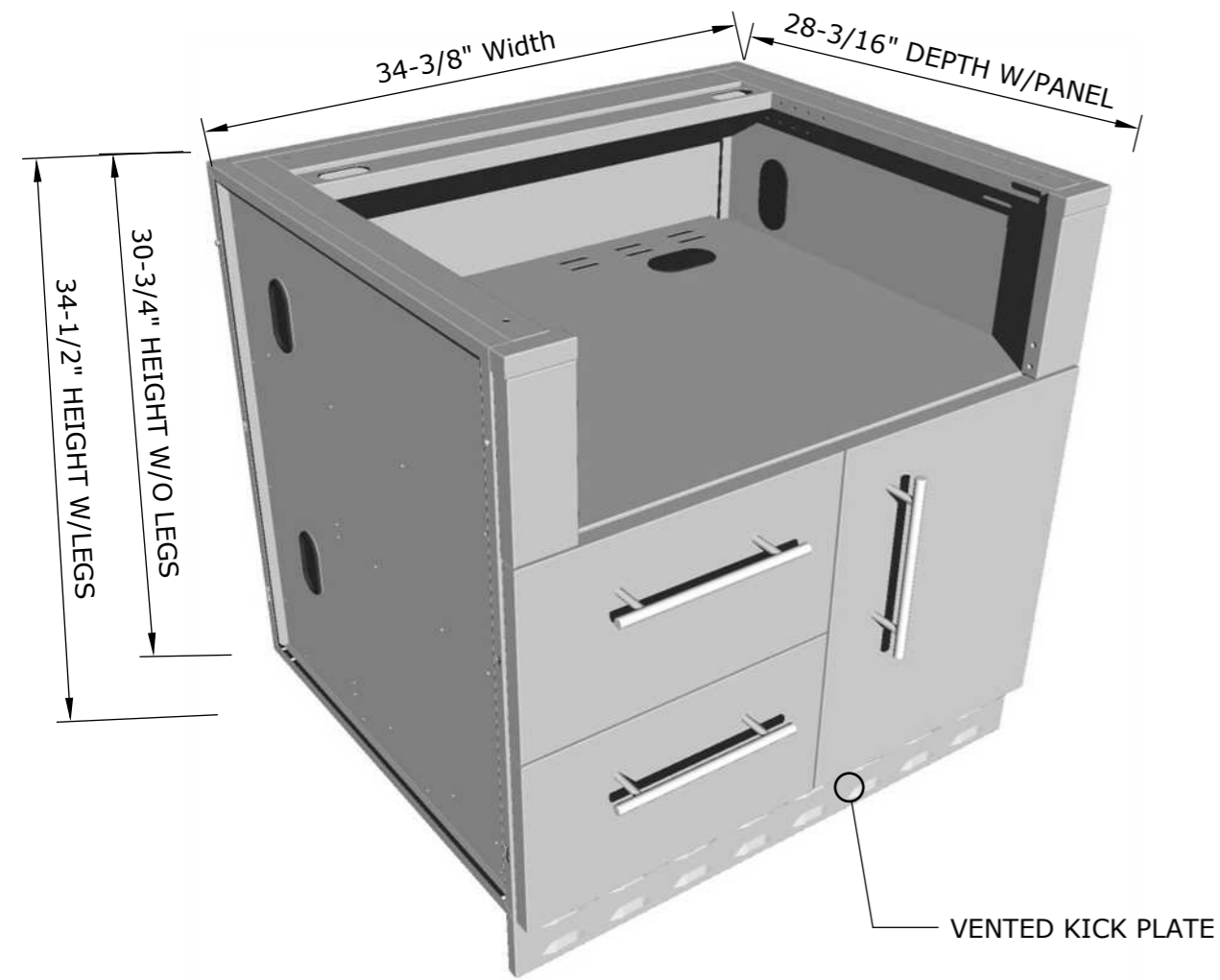
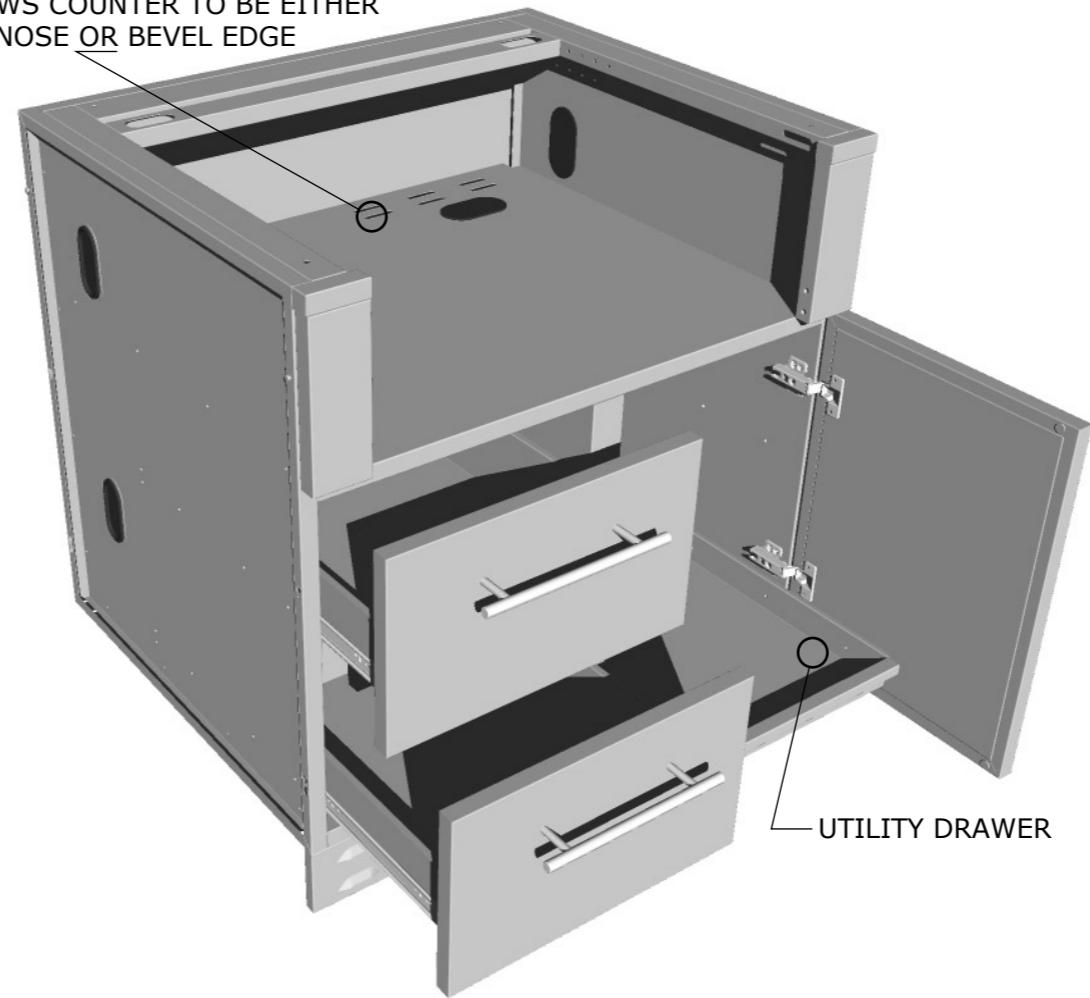


## Product Dimensions



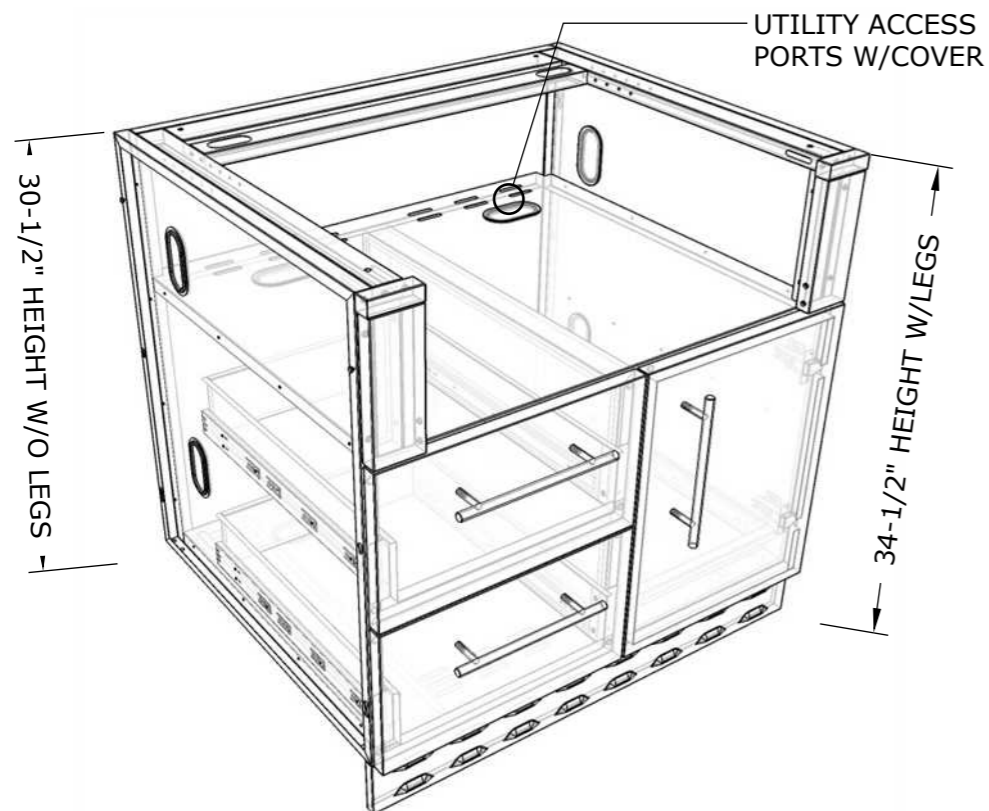
## Product Components

REMOVABLE 1" - COUNTER RAIL  
ALLOWS COUNTER TO BE EITHER  
BULLNOSE OR BEVEL EDGE

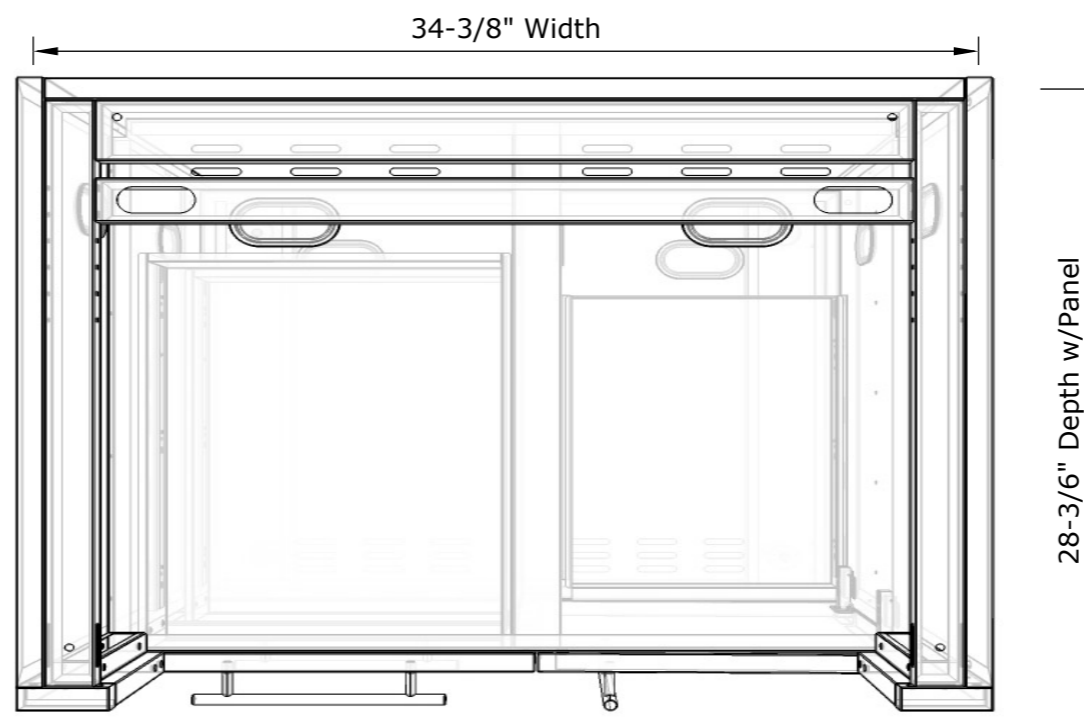


## Product Diagrams

ISO VIEW



TOP VIEW



**SUNSTONE METAL PRODUCTS**  
16004 CENTRAL COMMERCE DR.  
PFLUGERVILLE, TEXAS 78660  
Tel: 888.934.9449  
Bus: 512.487.5116  
Fax: 512.487.7016

### PRODUCT

34" Appliance Cabinet

**Item No.** SAC34GLPCD

### DESCRIPTION

34" Appliance Cabinet for Item No.  
SUN3B/SUN3BIR & RUBY3B

- Lifetime Structure Warranty
- 304 Stainless Steel Structure
- 304 SS Rod Handles
- Front & Back Kick-Plates
- Easy Pin-Lock Installation
- Soft-Close Drawer Tracks
- Covered Access Ports
- Adjustable Peg-Legs
- Optional Wheel Casters

### INCLUDED COMPONENTS

- Front Vented Kick Plate
- Back Solid Kick Plate
- (4) Adjustable Peg Legs

### PRODUCT DIMENSIONS

34-3/8"W x 28-3/16"D (w/Panel)  
x 34-1/2"H (w/Legs) or 30-3/4"H  
(no Legs) or Upto 36" Max  
Adjustable Height

### INSERTABLE PRODUCTS

28" 3 BURNER W/IR - SUN3BIR  
28" 3 BURNER - SUN3B  
30" RUBY GRILL - RUBY30

(See next page Trim Kit Guide for  
other insertable product Brands)

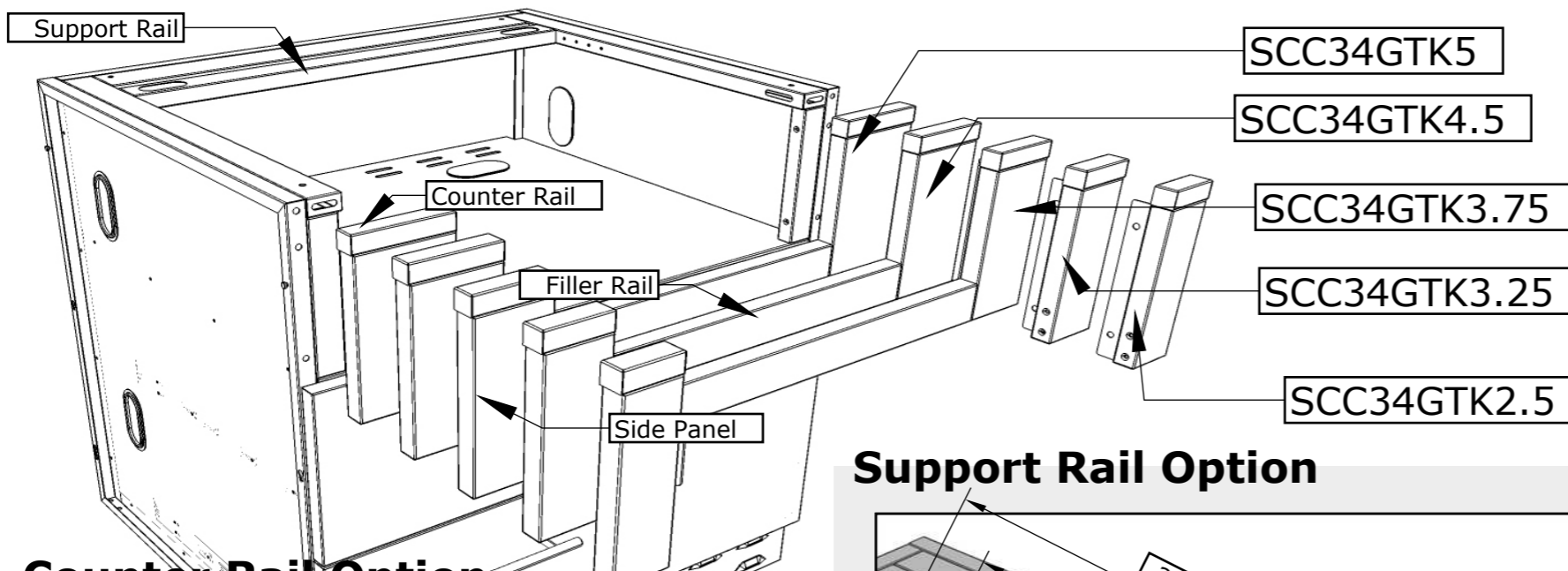
### MATERIAL SPECS

304 Stainless Steel entire  
structure, 18 Gauge for Door  
Panel, 18 Gauge for Cabinet  
Box, 18 Gauge for Shelf,  
Handles are made of Solid 304  
Stainless Steel Bar.

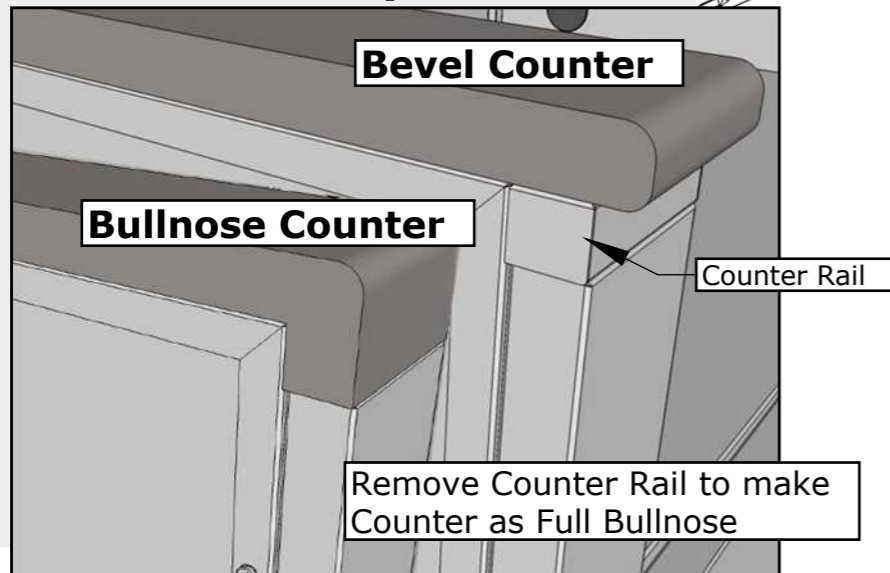
# SAC34GLPCD TRIM-KIT

Disclaimer: The trademarks used in the "Product Option" column below belong to their respective owners who do not sponsor nor are they affiliated with Sunstone Metal Products, L.L.C. The specific product Cut-Out Dimensions have not been directly confirmed by any Sunstone Metal Products LLC, representative or employee. Use own discretion to confirm exact product fit.

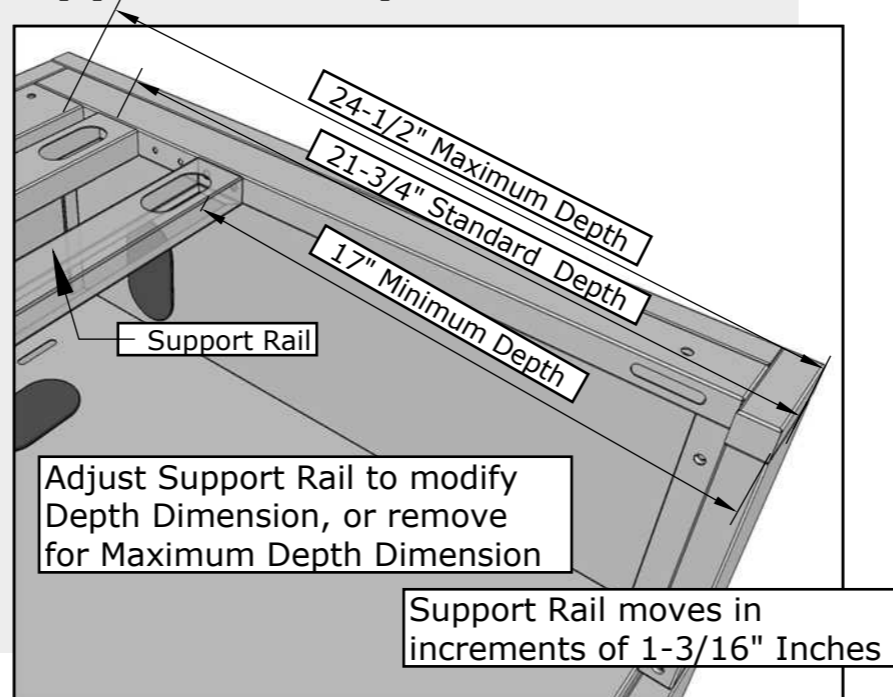
Model Number	Sleeve Cut-Out	Product Option
<b>SCC34GTK2.5</b>	28-1/2" Width x 10-1/4" Height x 24-1/2" Maximum Depth	Alfresco® 30", Twin Eagles® 30" Breakfast Club®, Twin Eagles® 30" Teppanyaki Grill®, DCS® 30" Grill
<b>SCC34GTK3.25</b>	27-1/2" Width x 10-1/4" Height x 24-1/2" Maximum Depth	Evo® 30" Affinity Circular Cooktop Sunstone® Ruby 30" Grill
<b>SCC34GTK3.75</b>	26-3/8" Width x 8" Height w/Rail or 10-1/4" Height wo/Rail x 24-1/2" Maximum Depth	
<b>SCC34GTK4.5</b>	25" Width x 8" Height w/Rail or 10-1/4" Height wo/Rail x 24-1/2" Maximum Depth	Sunstone® 28" Grill, Coyote® 28" grill
<b>SCC34GTK5</b>	23-7/8" Width x 8" Height w/Rail or 10-1/4" Height wo/Rail x 24-1/2" Maximum Depth	Steele® 26" Grill



## Counter Rail Option



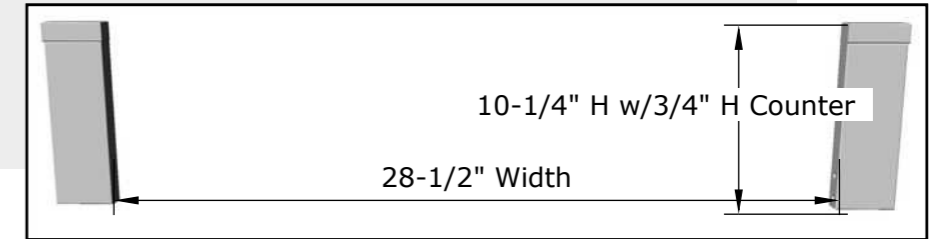
## Support Rail Option



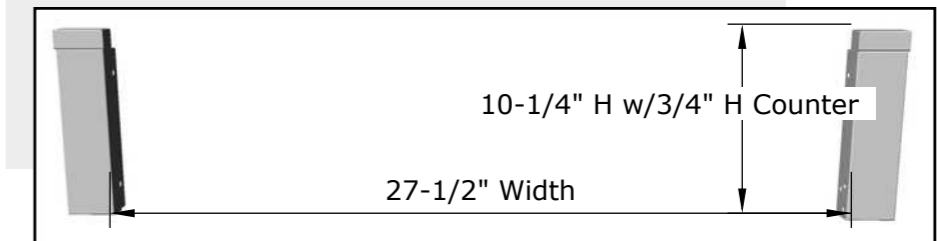
# Trim-Kit Sleeve Dimensions

Compatible between 23-7/8" to 28-1/2", 8" to 10 1/4" Max Height with counter at 3/4" Height with Filler Rail installed or removed. (Additional Height can be adjusted by Removing Bottom Filler Rail or by adding a Thicker Counter or Backer Board)

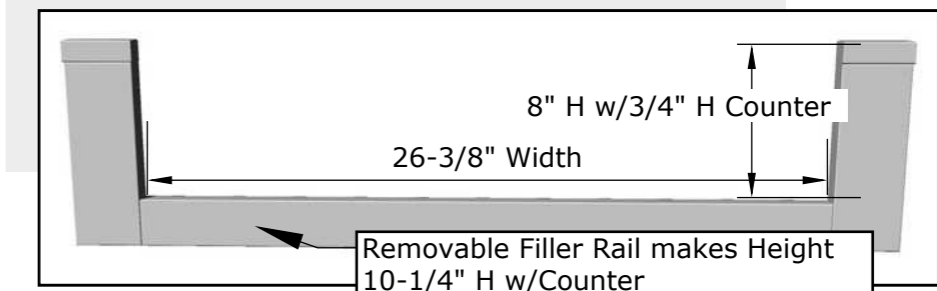
Item No. SCC34GTK2.5



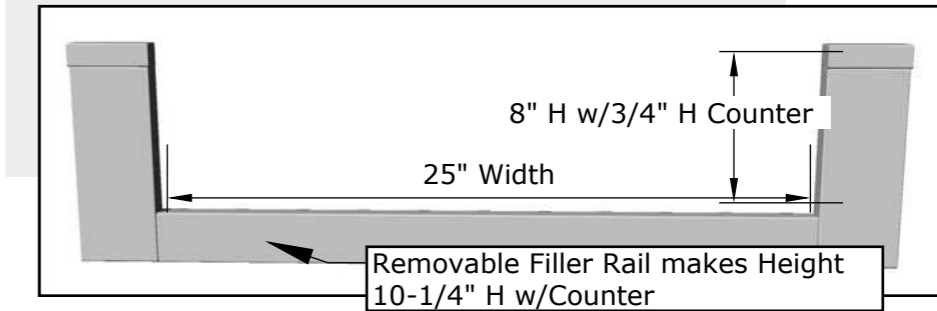
Item No. SCC34GTK3.25



Item No. SCC34GTK3.75



Item No. SCC34GTK4.5



Item No. SCC34GTK5

