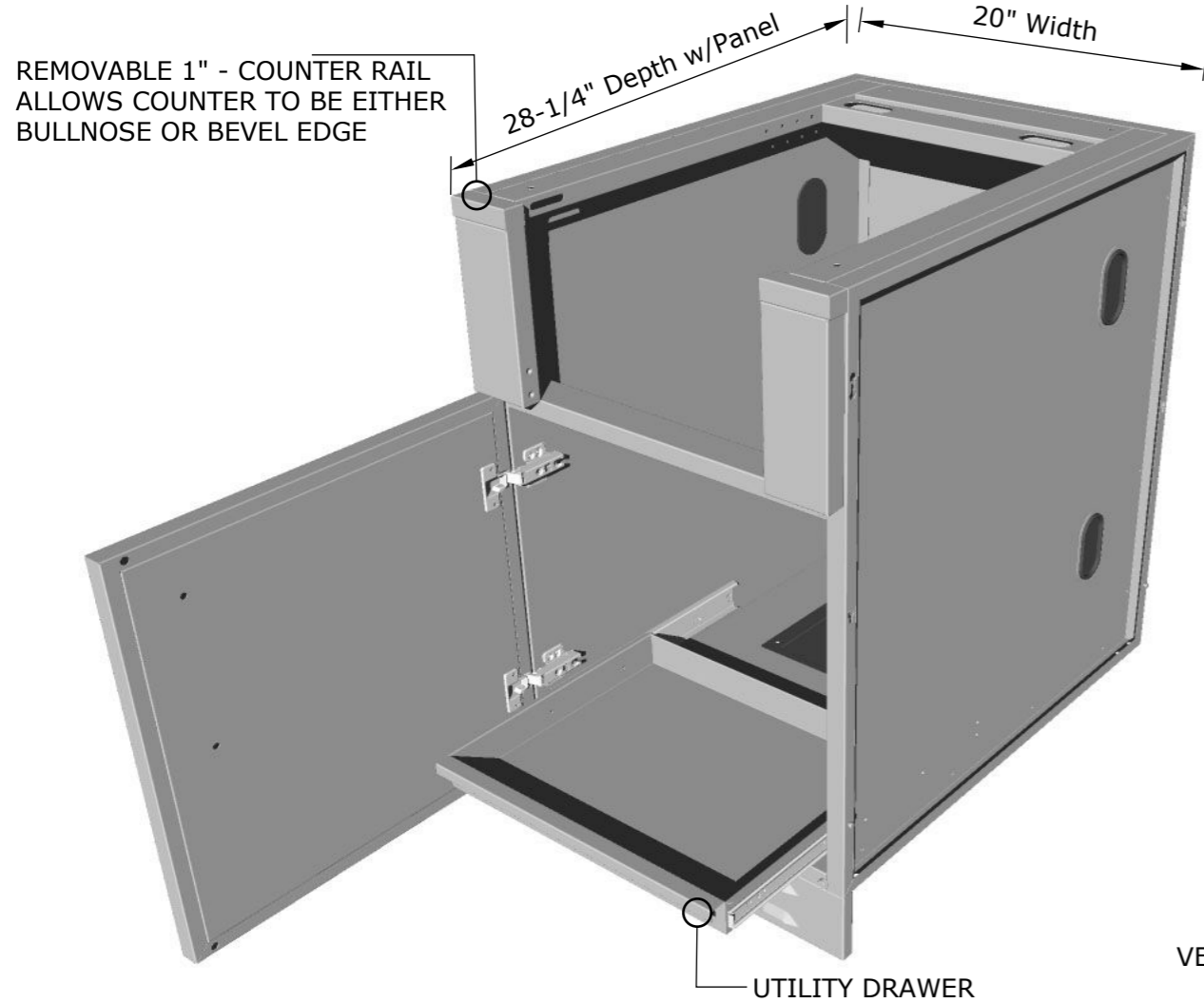
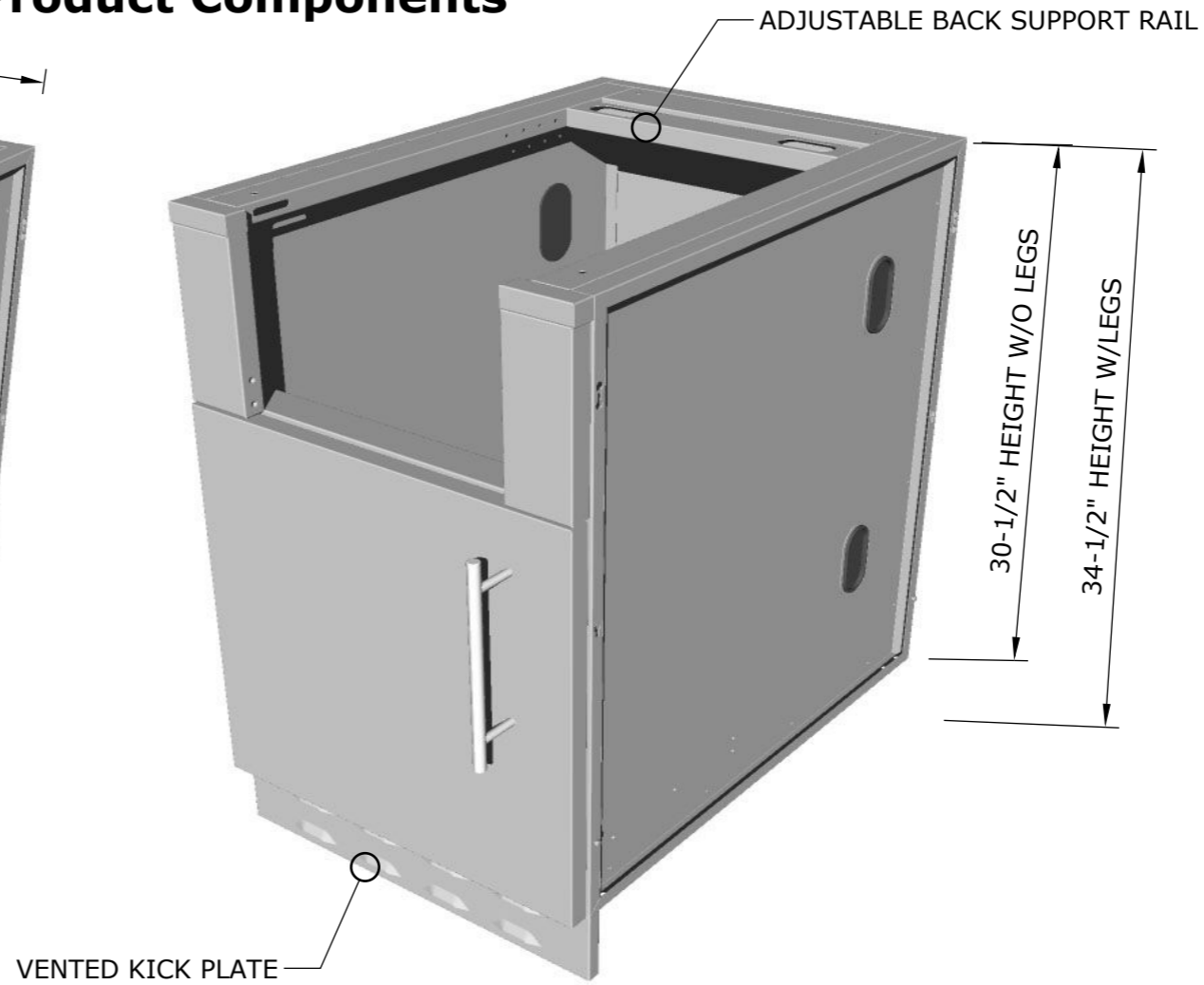


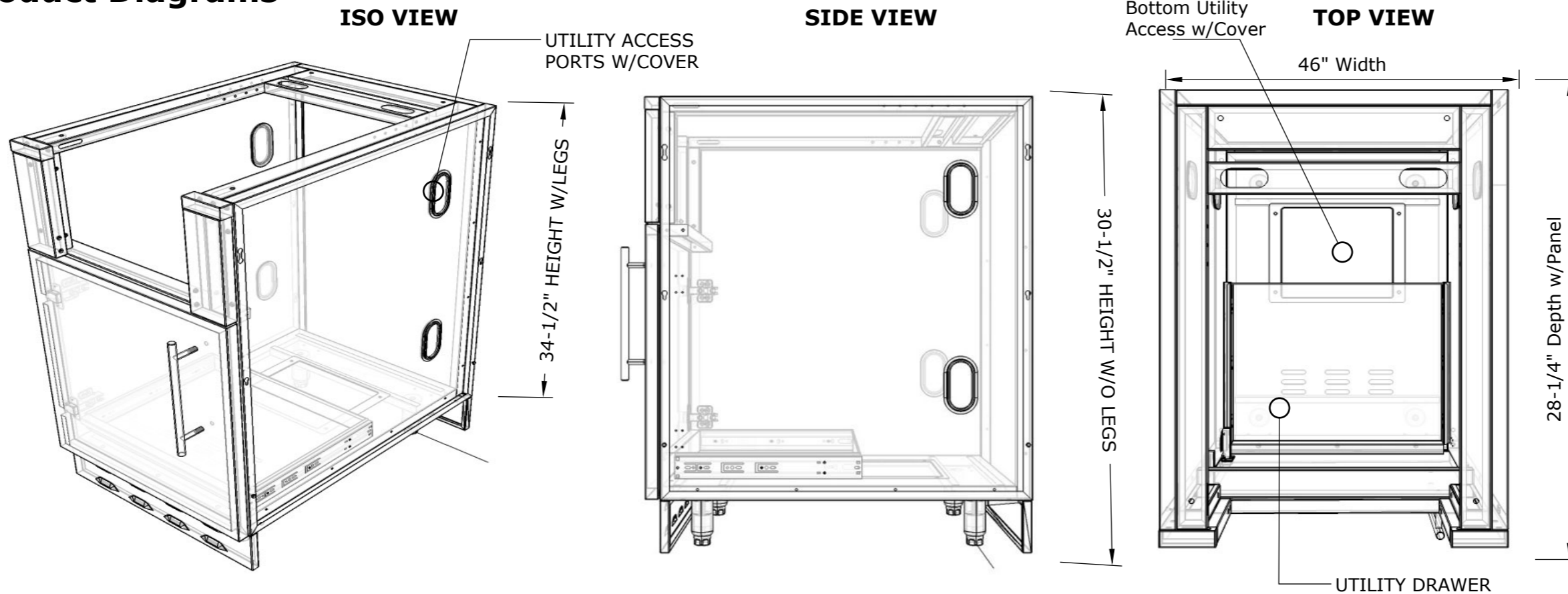
Product Dimensions



Product Components



Product Diagrams



SUNSTONE METAL PRODUCTS
16004 CENTRAL COMMERCE DR.
PFLUGERVILLE, TEXAS 78660
Tel: 888.934.9449
Bus: 512.487.5116
Fax: 512.487.7016

PRODUCT

20" Appliance Cabinet w/ Left
Swing Door for Item No.2CSB

Item No. SAC20CSDL

DESCRIPTION

20" Appliance Cabinet w/ Left Swing
door for Item No.2CSB.

- Lifetime Structure Warranty
- 304 Stainless Steel Structure
- 304 SS Rod Handles
- Front & Back Kick-Plates
- Easy Pin-Lock Installation
- Soft-Close Drawer Tracks
- Covered Access Ports
- Adjustable Peg-Legs
- Optional Wheel Casters

INCLUDED COMPONENTS

- Front Vented Kick Plate
- Back Solid Kick Plate
- (4) Adjustable Peg Legs
- Trim-Kit - SCC20CTK3.25

PRODUCT DIMENSIONS

20"W x 28-1/4"D (w/Doors) x 34-
1/2"H (w/Legs) or 30-1/2"H (no
Legs) or Upto 36" Max Adjustable
Height

INSERTABLE PRODUCTS

Cocktail Pro - B-CS14
Cocktail Station - A-CS14
Double Side Burner - 2CSB

(See next page Trim Kit Guide for
other insertable product Brands)

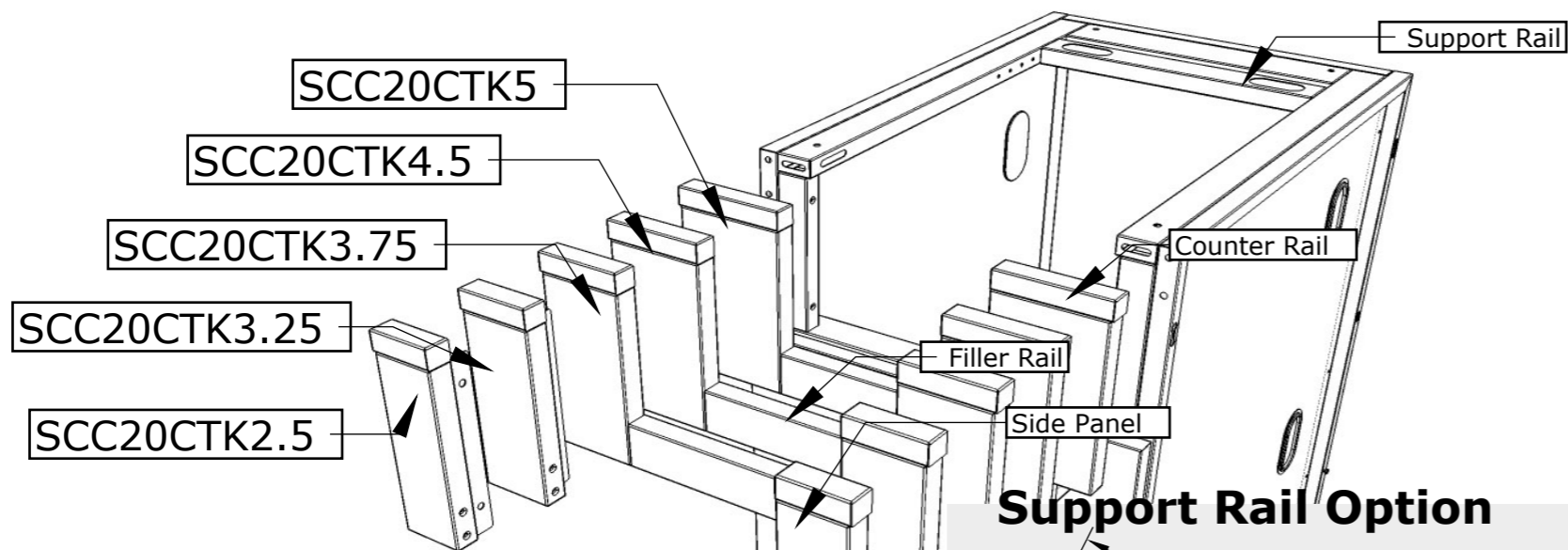
MATERIAL SPECS

304 Stainless Steel entire
structure, 18 Gauge for Door
Panel, 18 Gauge for Cabinet
Box, 18 Gauge for Shelf,
Handles are made of Solid 304
Stainless Steel Bar.

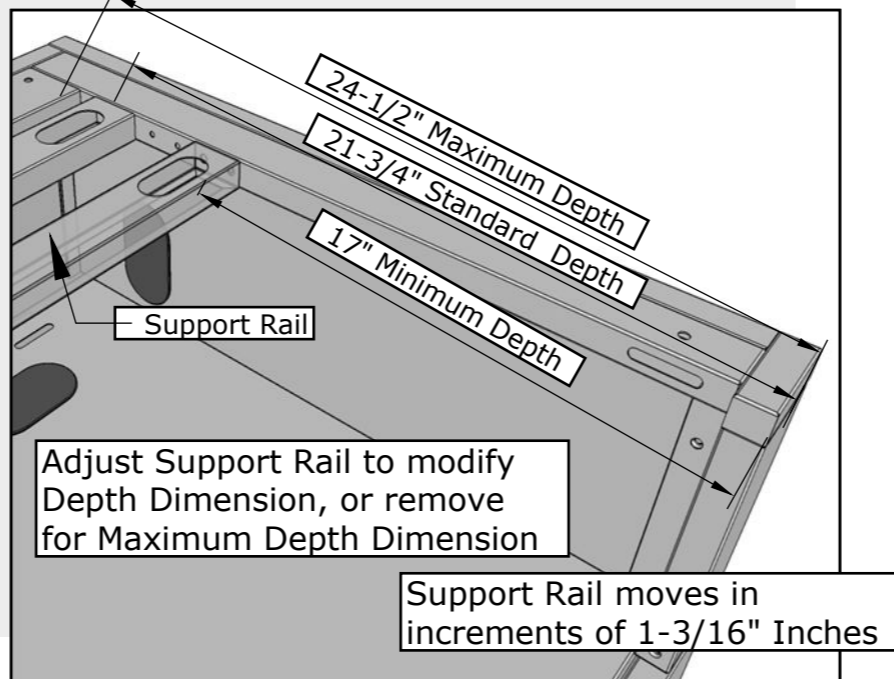
SAC20CSDL TRIM-KIT

Disclaimer: The trademarks used in the "Product Option" column below belong to their respective owners who do not sponsor nor are they affiliated with Sunstone Metal Products, L.L.C. The specific product Cut-Out Dimensions have not been directly confirmed by any Sunstone Metal Products LLC, representative or employee. Use own discretion to confirm exact product fit.

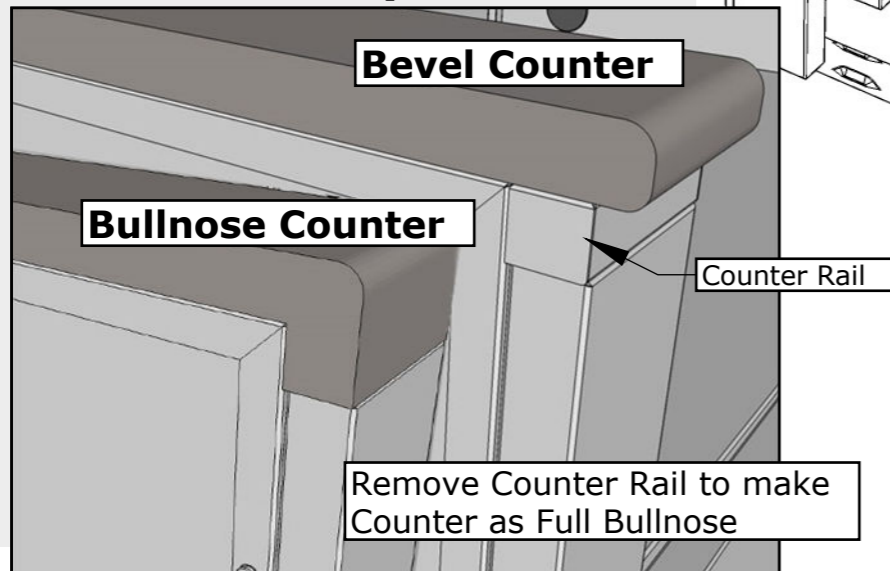
Model Number	Sleeve Cut-Out	Product Option
SCC20CTK2.5	14-1/2" Width x 10-1/4" Height x 24-1/2" Maximum Depth	
SCC20CTK3.25	13-1/2" Width x 10-1/4" Height x 24-1/2" Maximum Depth	Sunstone® Cocktail Station, Sunstone® Cocktail Pro, Alfresco® Double Burner
SCC20CTK3.75	12-3/8" Width x 8" Height w/Rail or 10-1/4" Height wo/Rail x 24-1/2" Maximum Depth	Sunstone® Double Burner, Double Burners for - RCS®, Lynx®, DCS®, Alfresco®, Luxor®, Cal-Flame® Double Burner, Cal-Flame® Cocktail Center, Coyote® Double Burner
SCC20CTK4.5	11" Width x 8" Height w/Rail or 10-1/4" Height wo/Rail x 24-1/2" Maximum Depth	Steele® Side Burner
SCC20CTK5	9-3/4" Width x 8" Height w/Rail or 10-1/4" Height wo/Rail x 24-1/2" Maximum Depth	



Support Rail Option



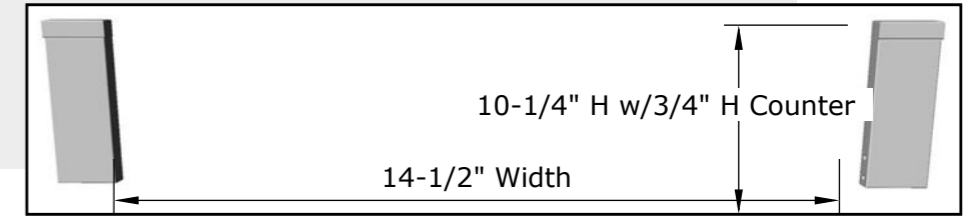
Counter Rail Option



Trim-Kit Sleeve Dimensions

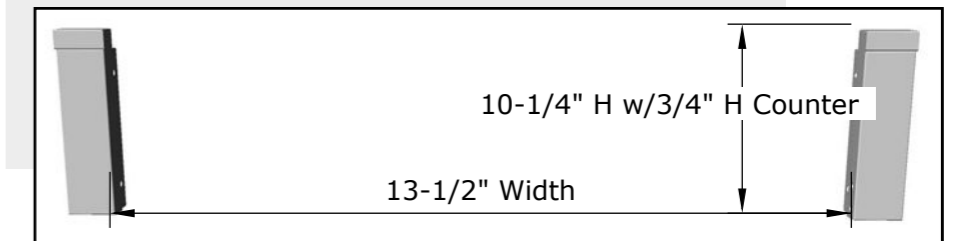
Compatible with Cut-Out Dimensions between 9-3/4" to 14-1/2" Width x 8" to 10-1/4" Height when combined with Counter at 3/4" Height. Additional Height can be adjusted by adding either 1/2" Hardi Backer Board or 3/4" Plywood under Counter.

Item No. SCC20CTK2.5

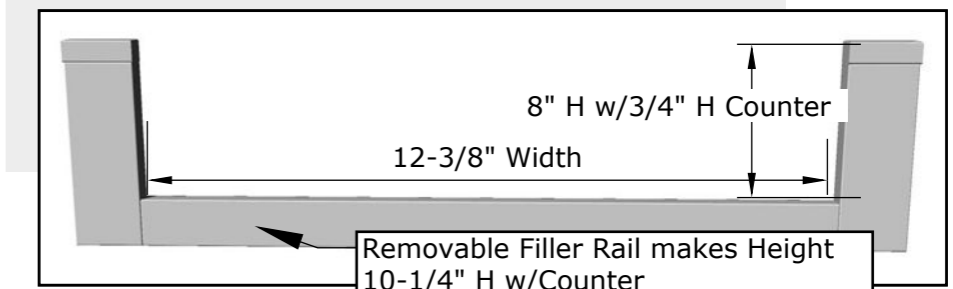


Item No. SCC20CTK3.25

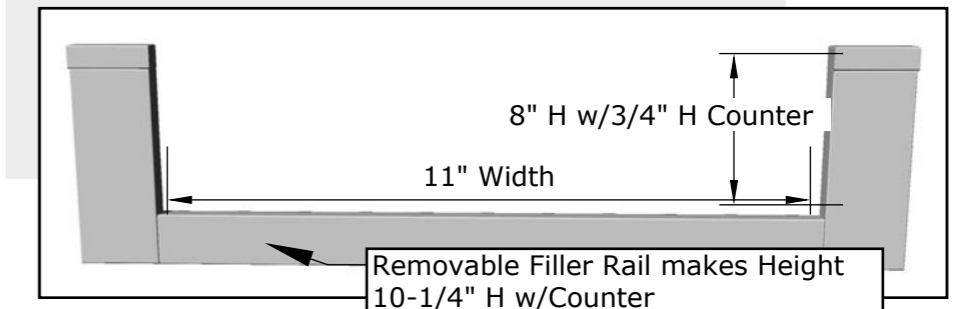
COMES STANDARD



Item No. SCC20CTK3.75



Item No. SCC20CTK4.5



Item No. SCC20CTK5

