



PRODUCT
23" Height Triple
Drawer
Item No. DE-DD23

DESCRIPTION
Designer Series, Raised Style - 18" x
23" Height Triple Drawer

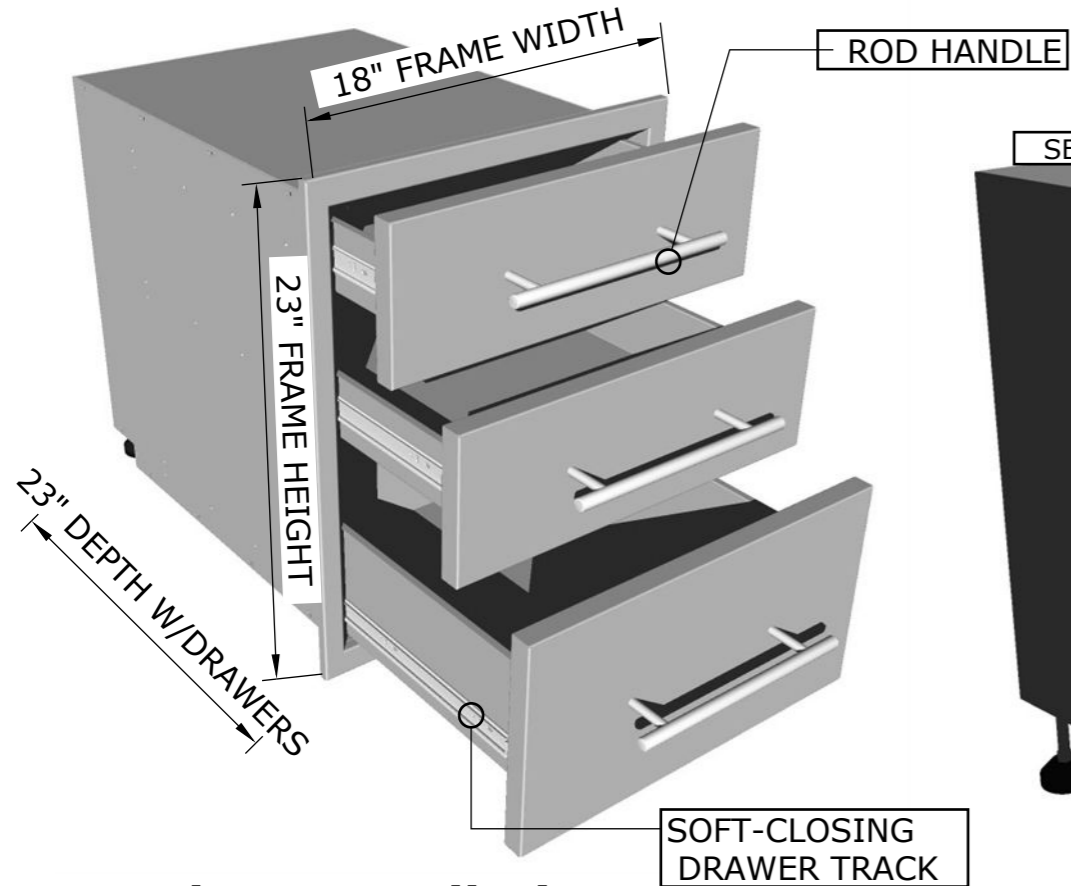
PRODUCT DIMENSIONS
18" WIDTH x23" HEIGHT x23"
DEPTH (PRODUCT SIZE) 16-1/2"
WIDTH x21" HEIGHT x22" DEPTH
(CUT-OUT)

SPECIFICATIONS
Frame is made from 16 gauge 304 SS,
and panel's are made from 18 gauge
304 SS. Inside Drawer Box is made with
20 gauge 201 SS. Handle is Solid 304
SS.

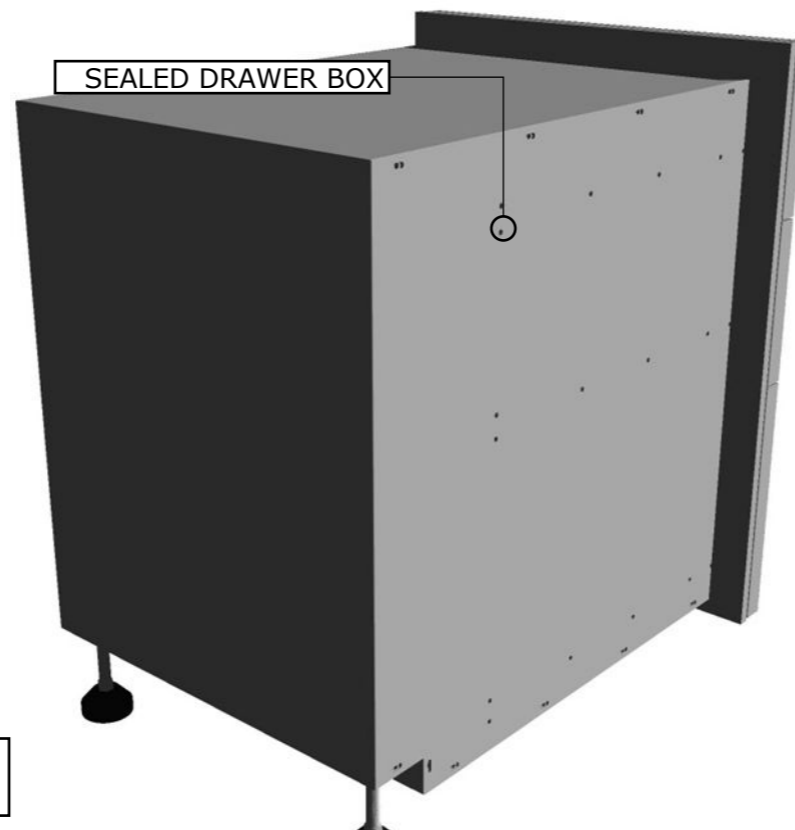
WARRANTY

- EXTERIOR FINISH -----3 YEARS
- ROD HANDLES-----3 YEARS
- DRAWER TRACK----- 1 YEAR
- PEG-LEGS----- 1 YEAR

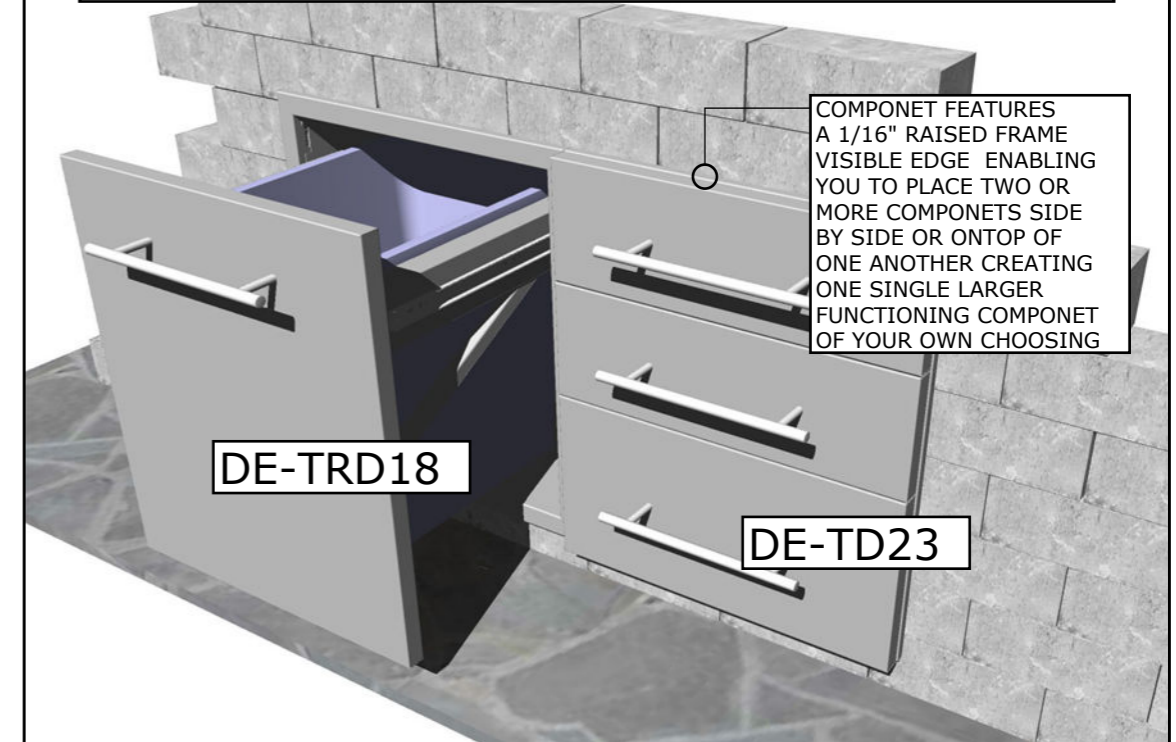
Product Dimensions



Product Features



COMBINE MULTIPLE COMPONENTS TOGETHER INTO UNLIMITED COMBINATIONS



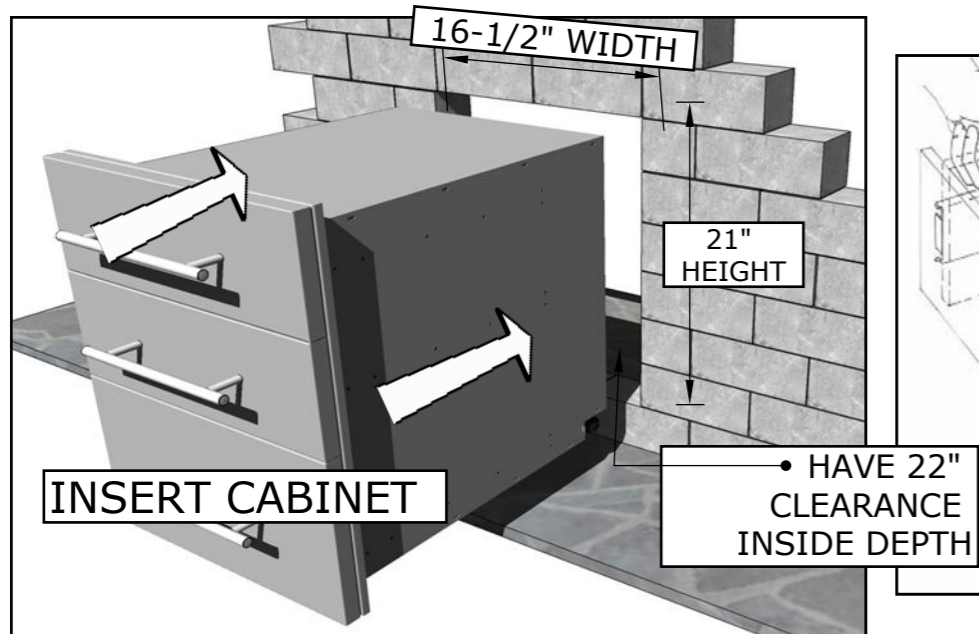
Product Installation

ISLAND WALL CUT-OUT SIZE IS
16-1/2" WIDTH BY 21" HEIGHT BY 22" DEPTH

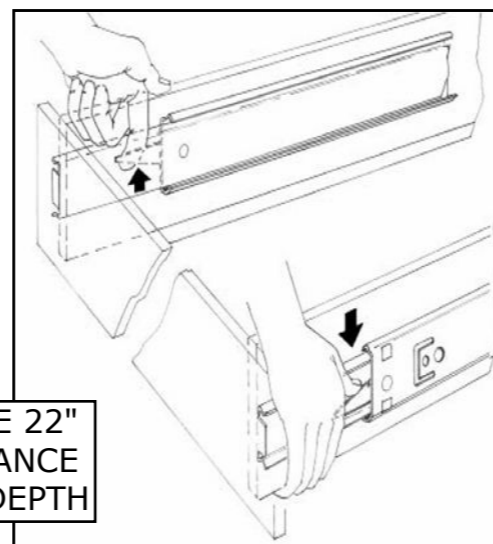
IMPORTANT!! - ROD HANDLES ARE MOUNTED TO INSIDE OF EACH PANEL, YOU MUST UNSCREW EACH ONE AND MOUNT ON OUTSIDE OF DRAWER OR DOOR PANEL.

See SUNSTONE manufacture website for additional product support and product tutorials:
www.sunstonemetalproducts.com

1 . INSERT COMPONENT



2. REMOVE DRAWERS



REMOVE DRAWERS IN ORDER TO MOUNT BOX

- Pull the drawer fully open so Levers are visible.
- Push "DOWN" on the right lever, and "UP" on the left lever.
- Holding levers in place, pull drawer toward you.

3. MOUNT DRAWER & LOWER LEGS

