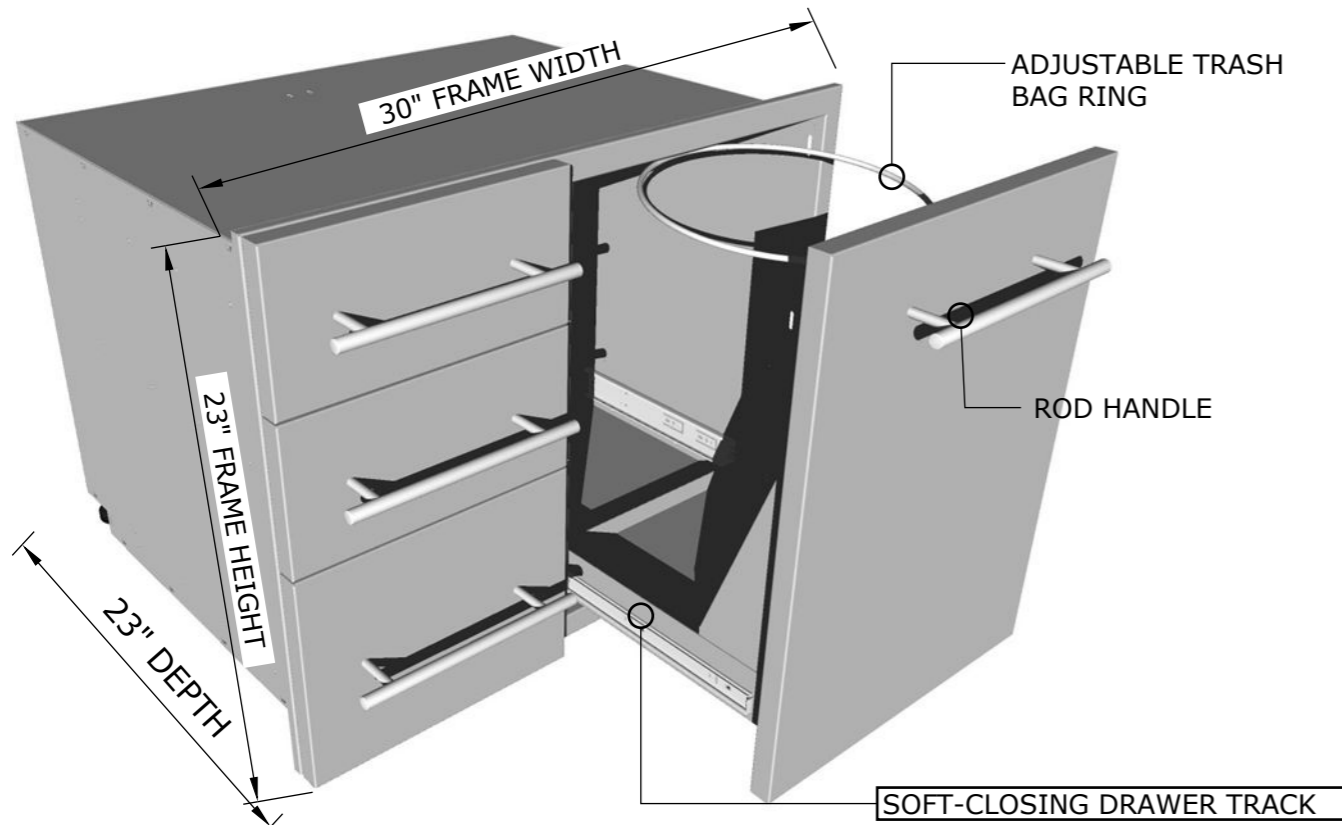
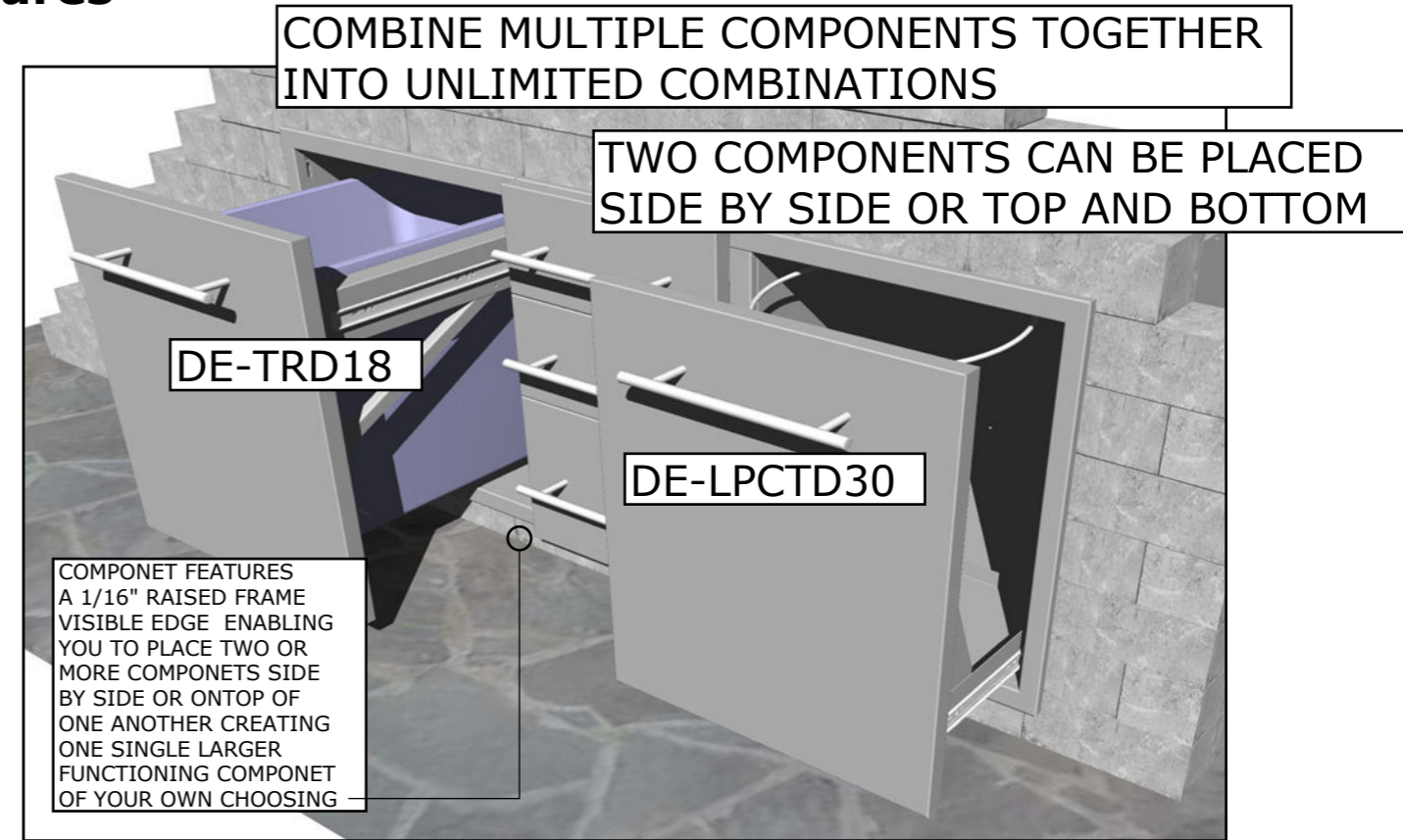
 <p>Designer Series CUSTOM CONFIGURABLE COMPONENTS</p>	<p>PRODUCT 30" Liquid Propane Triple Drawer Combo</p> <p>Item No. DE-LPCTD30</p>	<p>DESCRIPTION Designer Series, Raised Style - 30" Liquid Propane Combo Triple Drawer</p>	<p>PRODUCT DIMENSIONS 30" WIDTH x23" HEIGHT x23" DEPTH (PRODUCT SIZE) 28-1/2" WIDTH x21" HEIGHT x22" DEPTH (CUT-OUT)</p>	<p>SPECIFICATIONS Frame is made from 16 gauge 304 SS, and panel's are made from 18 gauge 304 SS. All Drawer Box's is 20 gauge 201 SS, propane tray is 18 gauge 304 SS. Handle is Solid 304 SS.</p>	<p>WARRANTY</p> <ul style="list-style-type: none"> • EXTERIOR FINISH -----3 YEARS • ROD HANDLES-----3 YEARS • DRAWER TRACK----- 1 YEAR • PEG-LEGS----- 1 YEAR
--	--	--	---	---	--

Product Dimensions



Product Features



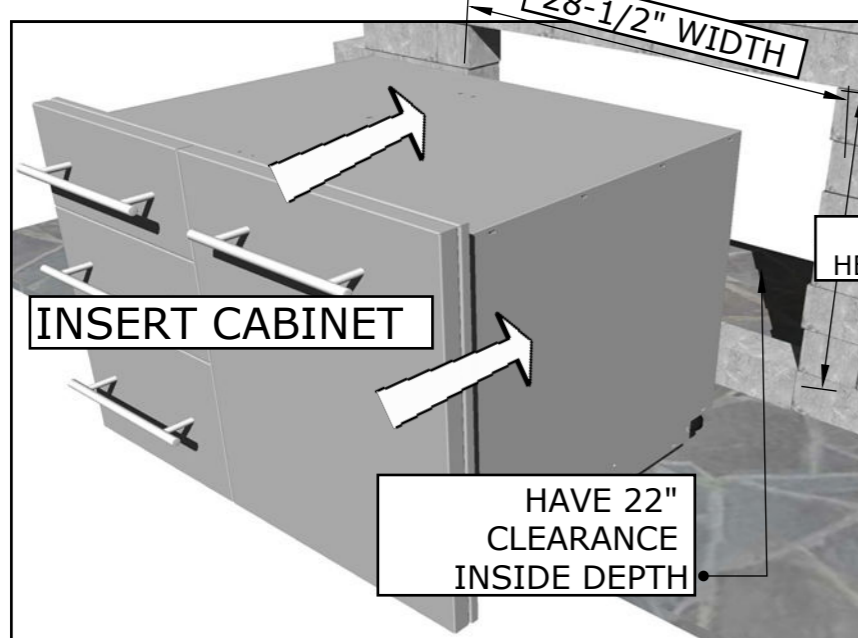
Product Installation

ISLAND WALL CUT-OUT SIZE IS 28-1/2" WIDTH BY 21" HEIGHT BY 22" DEPTH

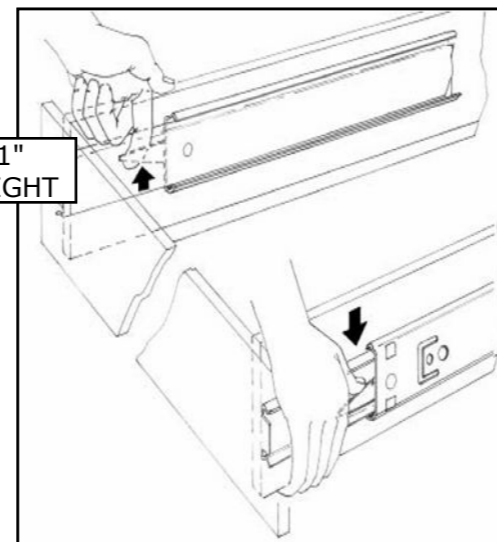
IMPORTANT!! - ROD HANDLES ARE MOUNTED TO INSIDE OF EACH PANEL, YOU MUST UNSCREW EACH ONE AND MOUNT ON OUTSIDE OF DRAWER OR DOOR PANEL.

See SUNSTONE manufacture website for additional product support and product tutorials:
www.sunstonemetalproducts.com

1. INSERT COMPONENT



2. REMOVE DRAWERS



REMOVE DRAWERS IN ORDER TO MOUNT BOX

- Pull the drawer fully open so Levers are visible.
- Push "DOWN" on the right lever, and "UP" on the left lever.
- Holding levers in place, pull drawer toward you.

3. MOUNT DRAWER BOX & LOWER LEGS

