



PRODUCT

13" Height Double
Drawer

Item No. DE-DD13

DESCRIPTION

Designer Series, Raised Style - 18" x
13" Height Double Drawer

PRODUCT DIMENSIONS

18" WIDTH x13" HEIGHT x23"
DEPTH (PRODUCT SIZE) 16-1/2"
WIDTH x11" HEIGHT x22" DEPTH
(CUT-OUT)

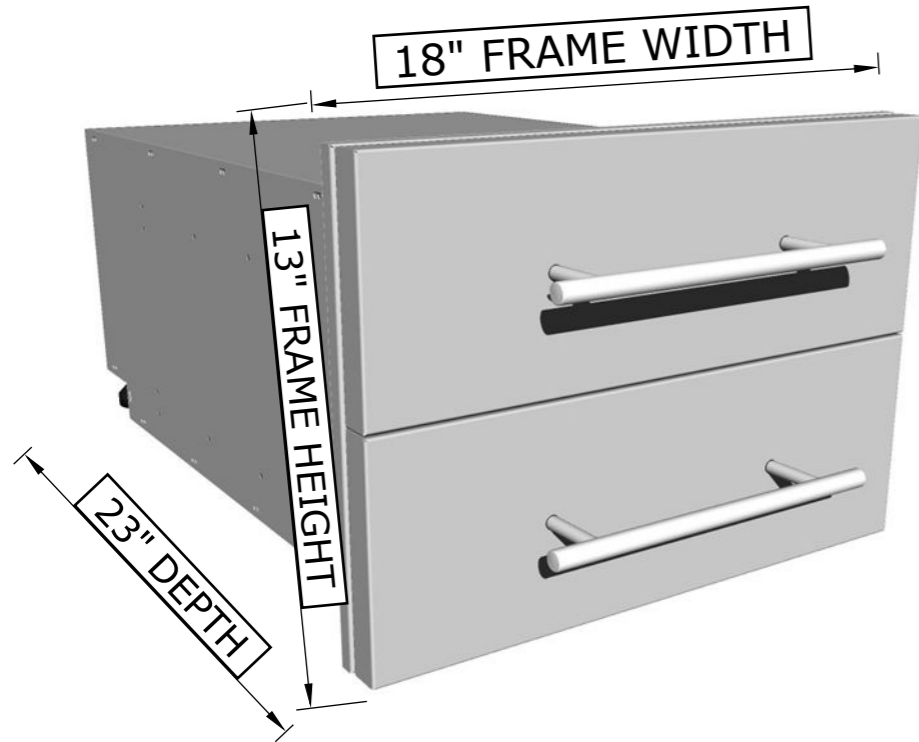
SPECIFICATIONS

Frame is made from 16 gauge 304 SS,
and panel's are made from 18 gauge
304 SS. Inside Drawer Box is made with
20 gauge 201 SS. Handle is Solid 304
SS.

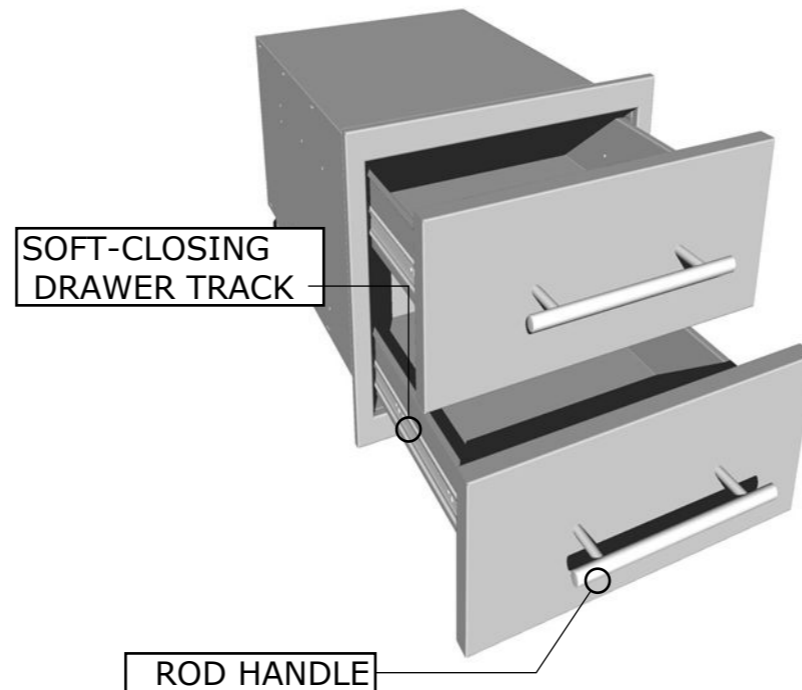
WARRANTY

- EXTERIOR FINISH -----3 YEARS
- ROD HANDLES-----3 YEARS
- DRAWER TRACK----- 1 YEAR
- PEG-LEGS----- 1 YEAR

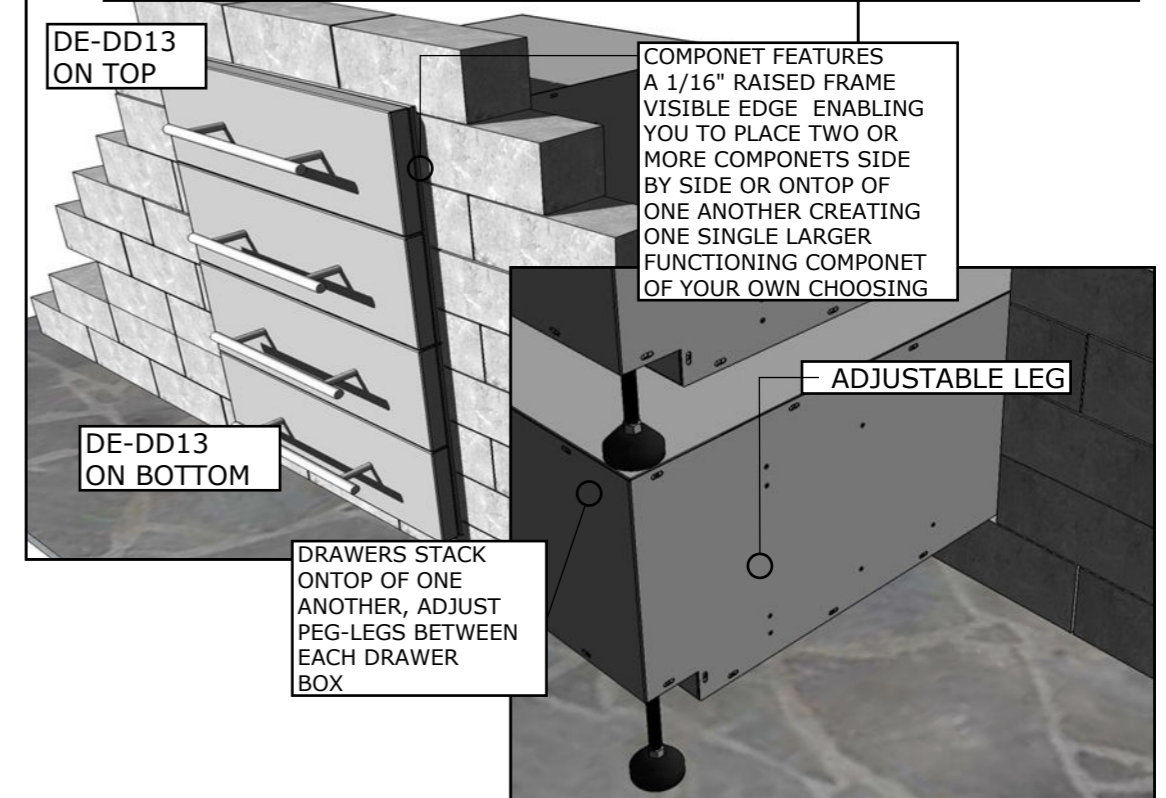
Product Dimensions



Product Features



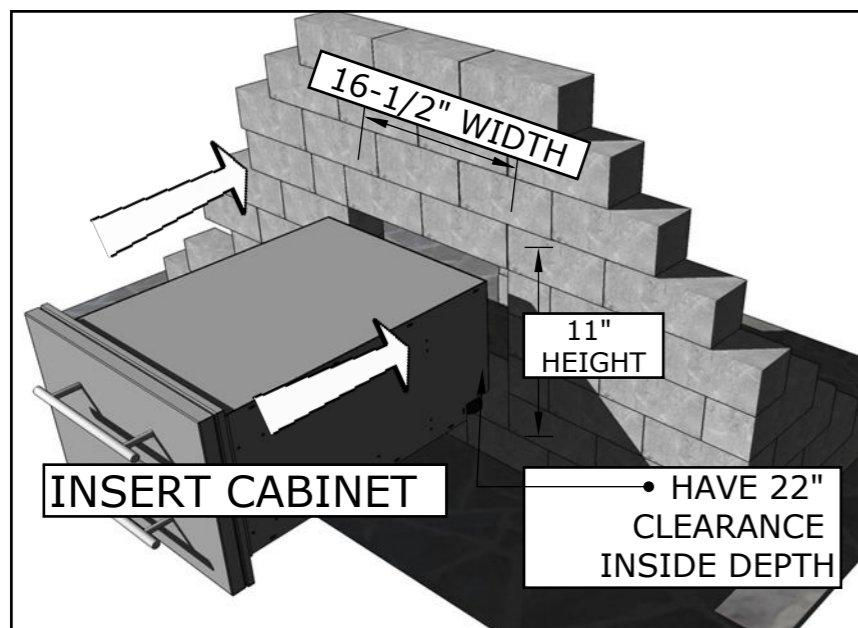
COMBINE MULTIPLE COMPONENTS TOGETHER INTO UNLIMITED COMBINATIONS



Product Installation

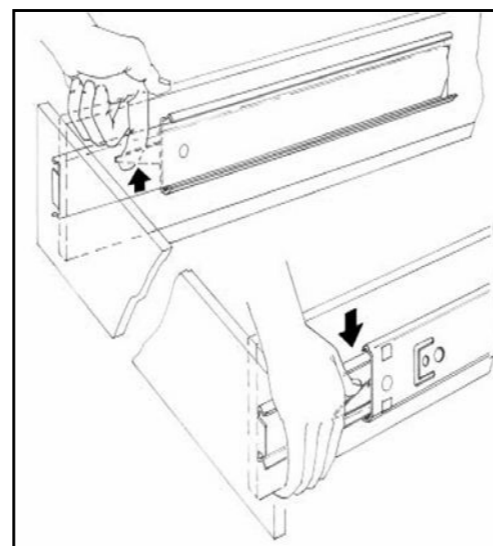
ISLAND WALL CUT-OUT SIZE IS
16-1/2" WIDTH BY 11" HEIGHT BY 22" DEPTH

1 . INSERT COMPONENT



IMPORTANT!! - ROD HANDLES ARE MOUNTED TO INSIDE OF EACH PANEL, YOU MUST UNSCREW EACH ONE AND MOUNT ON OUTSIDE OF DRAWER OR DOOR PANEL.

2. REMOVE DRAWERS



REMOVE DRAWERS IN ORDER TO MOUNT BOX

- Pull the drawer fully open so Levers are visible.
- Push "DOWN" on the right lever, and "UP" on the left lever.
- Holding levers in place, pull drawer toward you.

See SUNSTONE manufacture website for additional product support and product tutorials:
www.sunstonemetalproducts.com

3. MOUNT DRAWER & LOWER LEGS

