

Product Dimensions

Handles are made of Zinc Alloy,  
Chrome Plated

Sunstone Metal Products  
16004 Central Commerce Dr  
Pflugerville TX 78665  
Tel: 888.934.9449  
Bus: 512.487.5116  
Fax: 512.487.7016

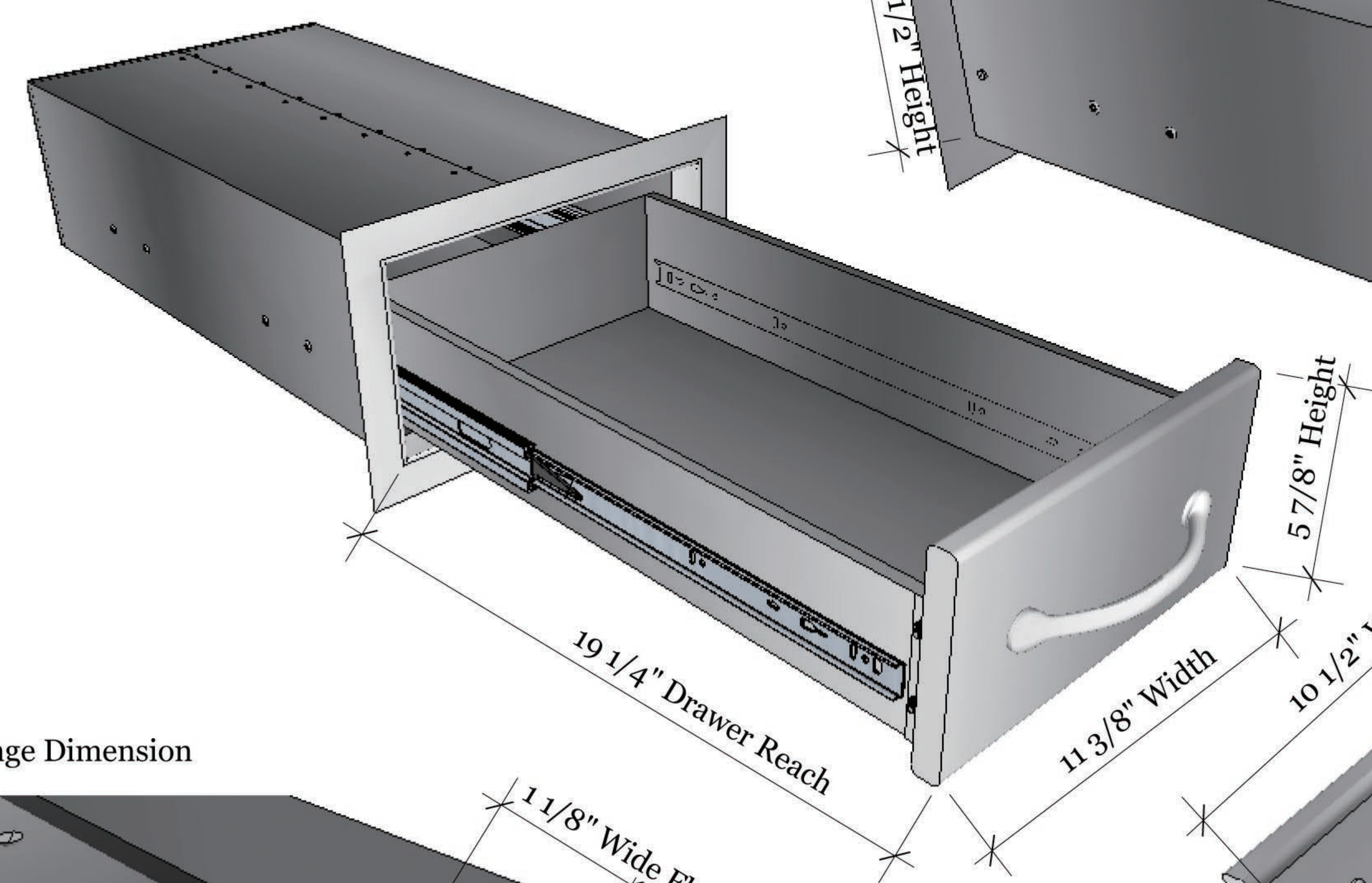
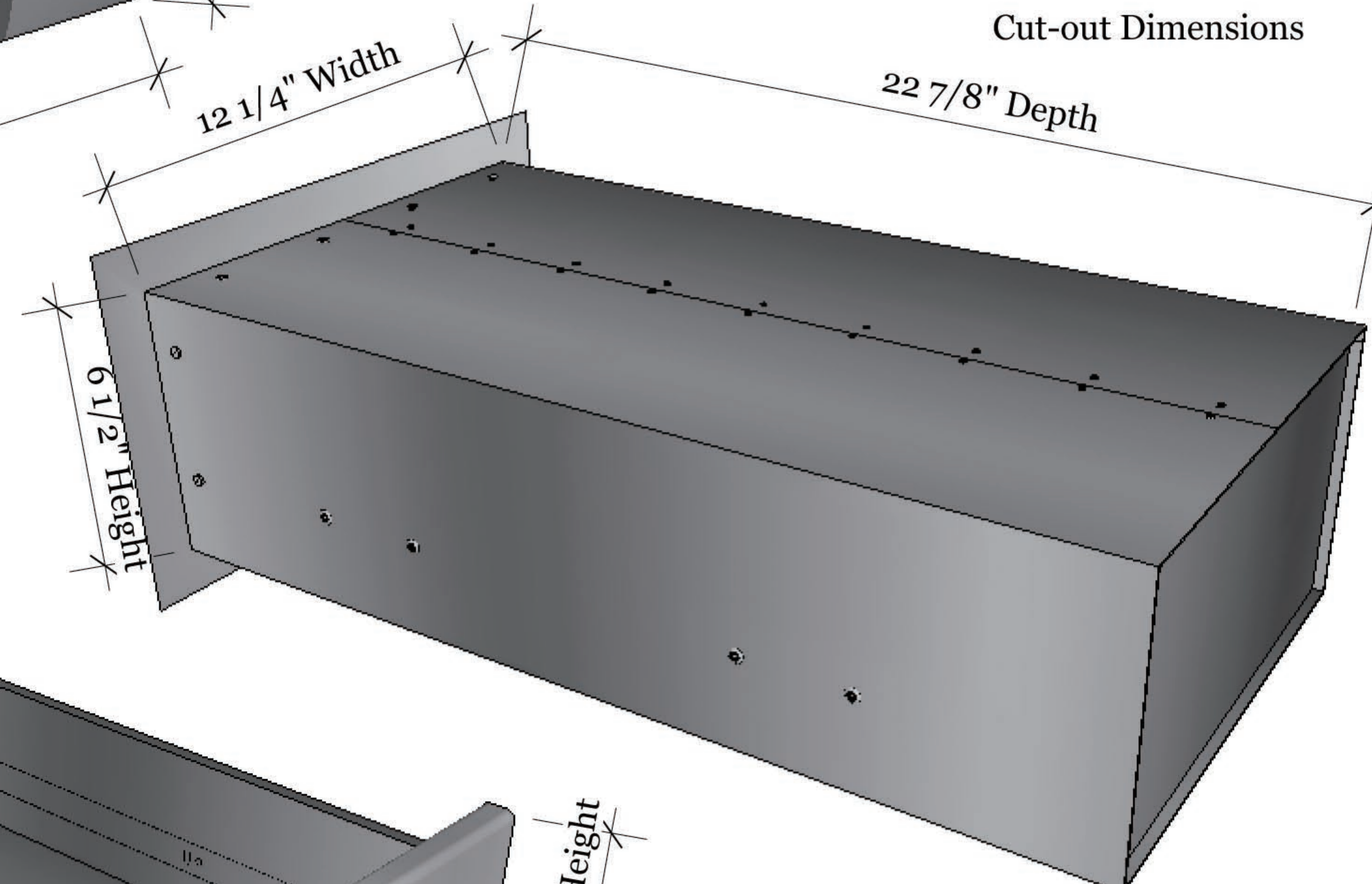
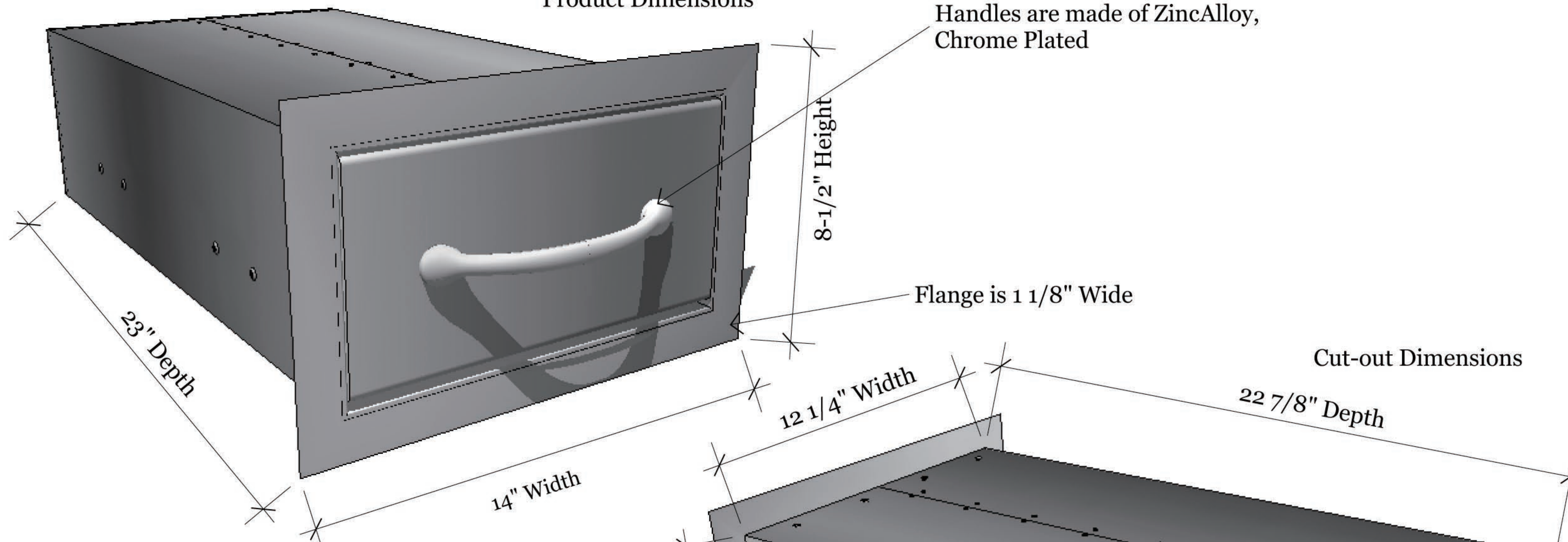
**PRODUCT**  
Flush Single Drawer  
Item No. B-SD6

**DESCRIPTION**  
Single Access  
Drawer Flush Mount

Cut-out Dimensions

**Single Access Drawer Flush Mount**  
14" W x 8-1/2" H x 23" D (Product Size )  
12-1/4" W x 6-1/2"H(Cut-out )  
23 LBS ( Weight )

**Material Specifications:**  
304 Stainless Steel  
16 Gauge for Frame  
20 Gauge for Drawer Cabinet  
18 Gauge Galvanized Sheet for  
the fully inclosed outside box  
Handles are made of Zinc Alloy,  
Chrome Plated.



Flange Dimension

1 1/8" Wide Flange

