

SUNSTONE®
ADA COMPLIANT 20"
SINGLE SINK

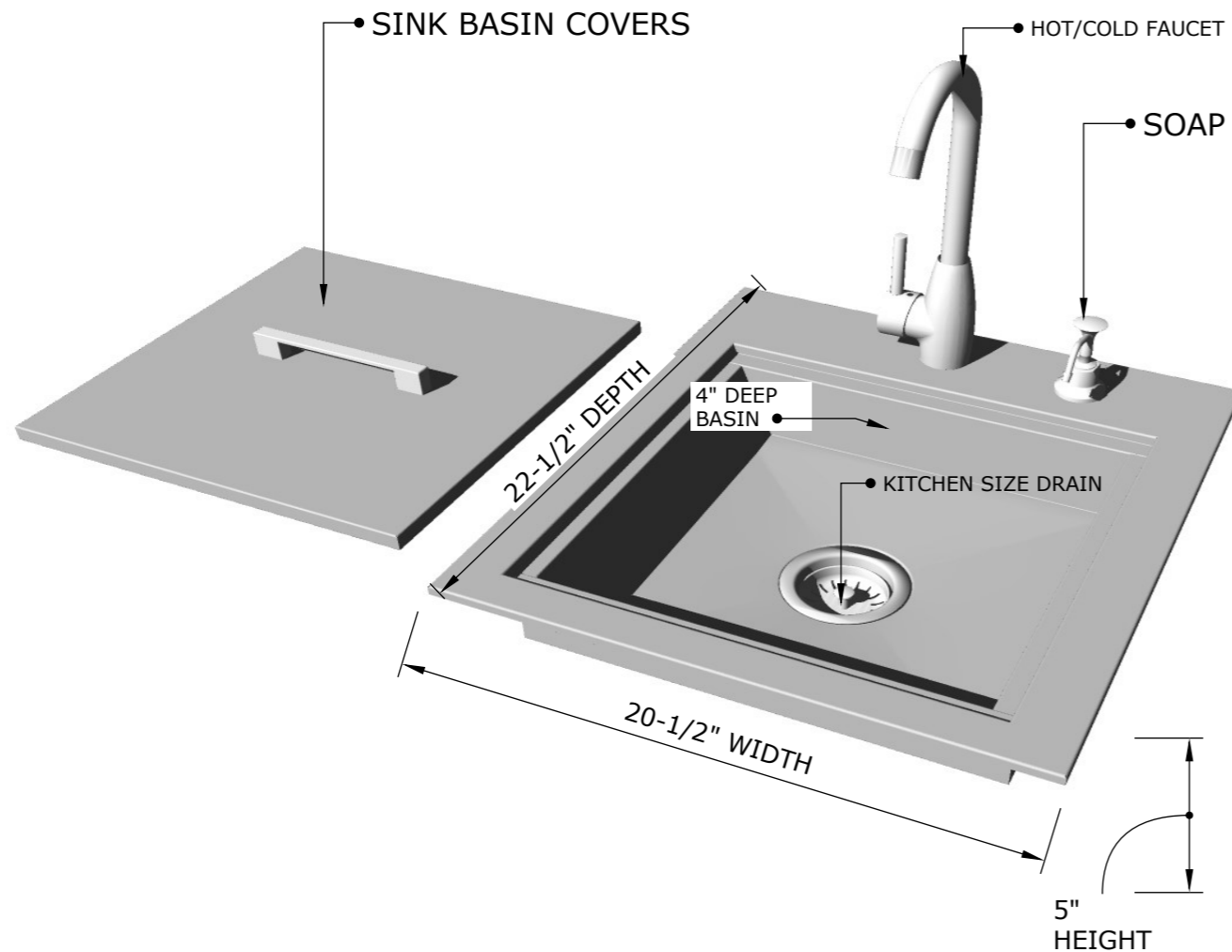
ITEM NUMBER
 ADASK20

DESCRIPTION
 ADA Compliant 20" Bar Sink
 w/Hot&Cold Faucet, Soap
 Dispenser, Drain, & Cover

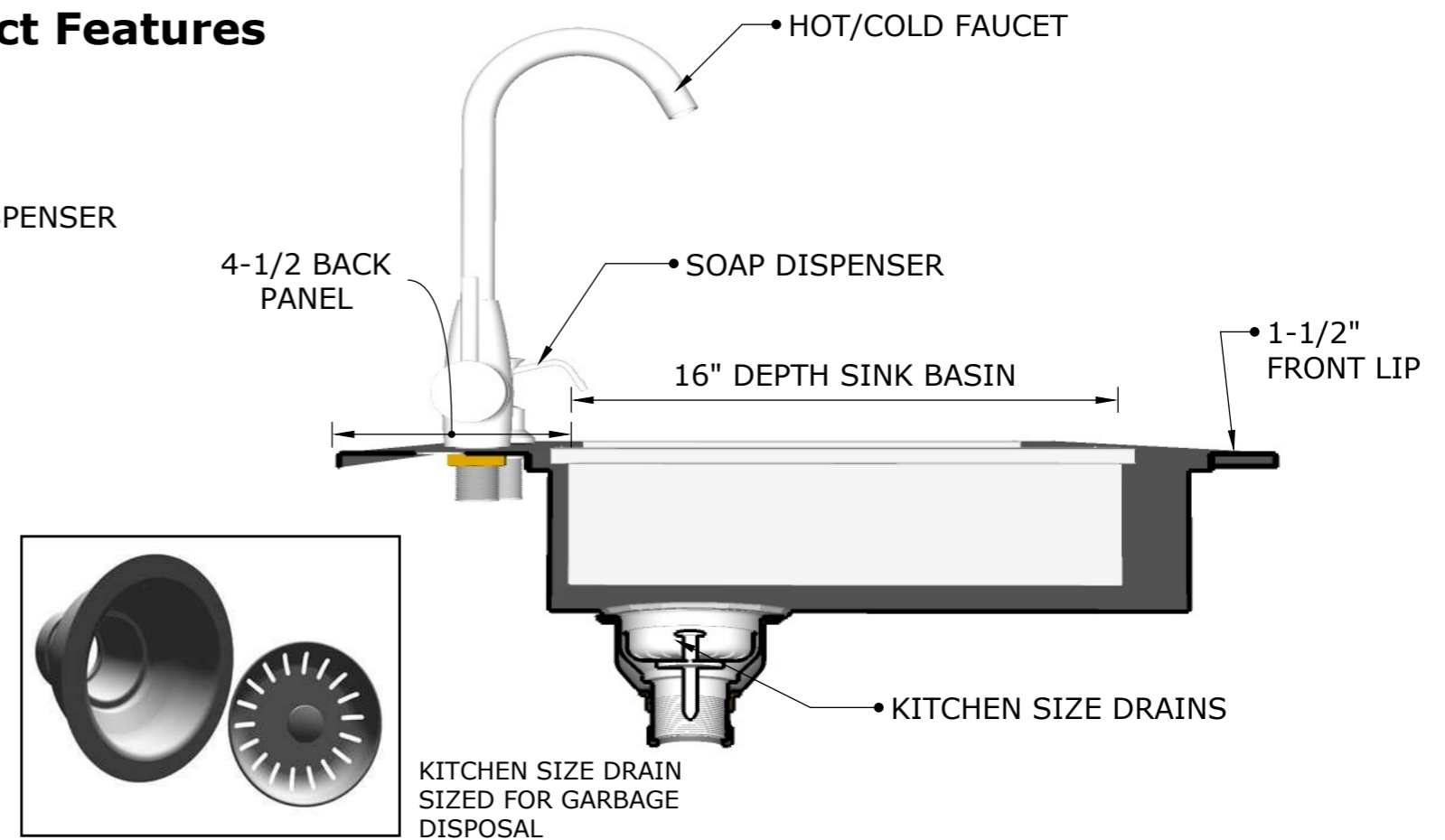
WARRANTY

- COMPONENT FINISH -----3 YEARS
- HANDLE-----1 YEAR
- DRAIN/FAUCET----- 1 YEAR

Product Dimensions



Product Features



PRODUCT SIZE & CUT-OUT DIMENSIONS
WIDTH (W) HEIGHT (H) DEPTH (D)

ADASK20 - 20-1/2"W X 5"H X 22-1/2"D (PRODUCT SIZE)
 16-3/4"W X 3-3/4"H X 19"D (CUT-OUT)

Material Specifications:

304 stainless steel for Bar Sink .14 gauge 304 and 20 gauge 304 for body, 18 gauge 304 for Cover

Product Installation

