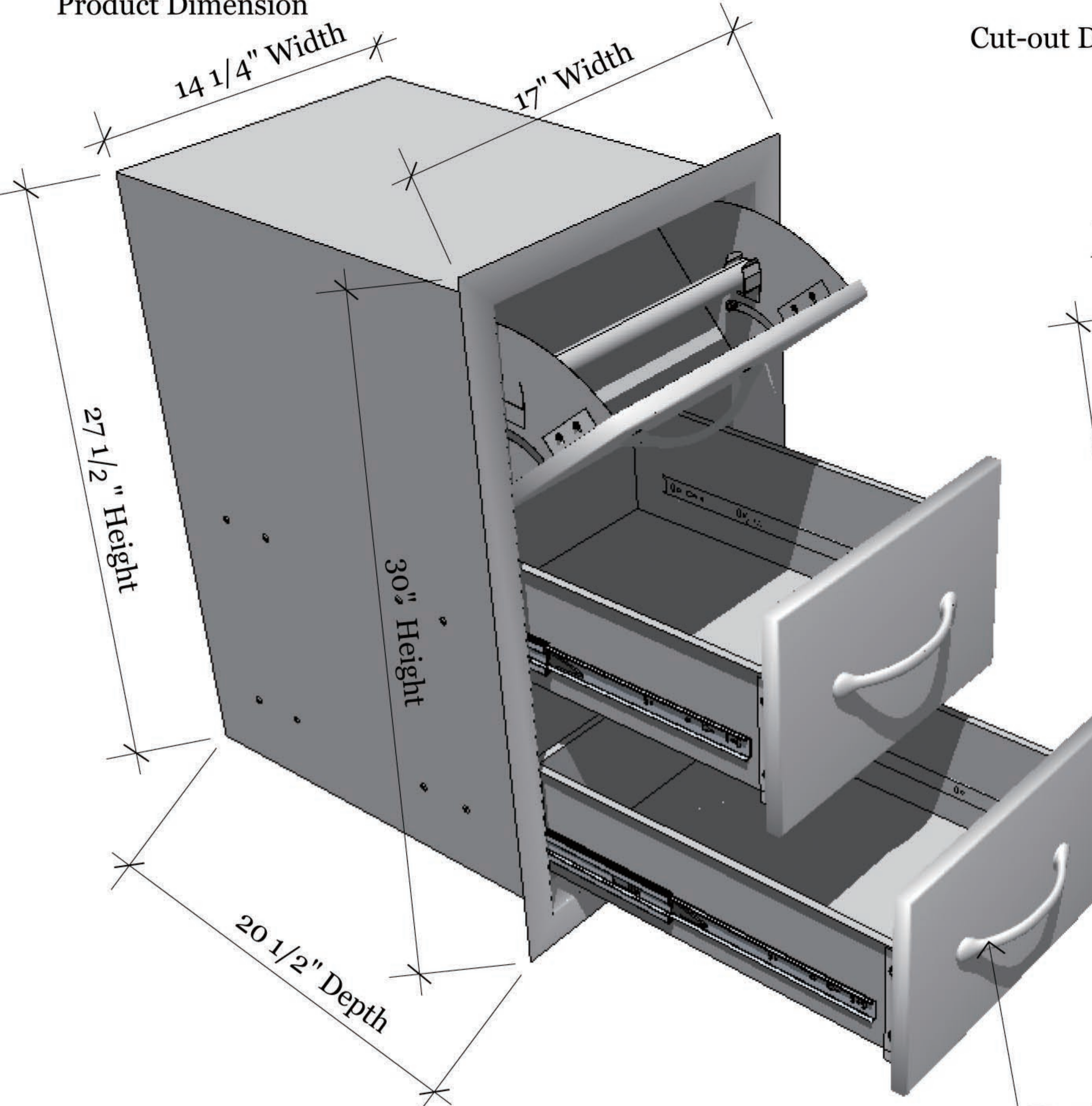
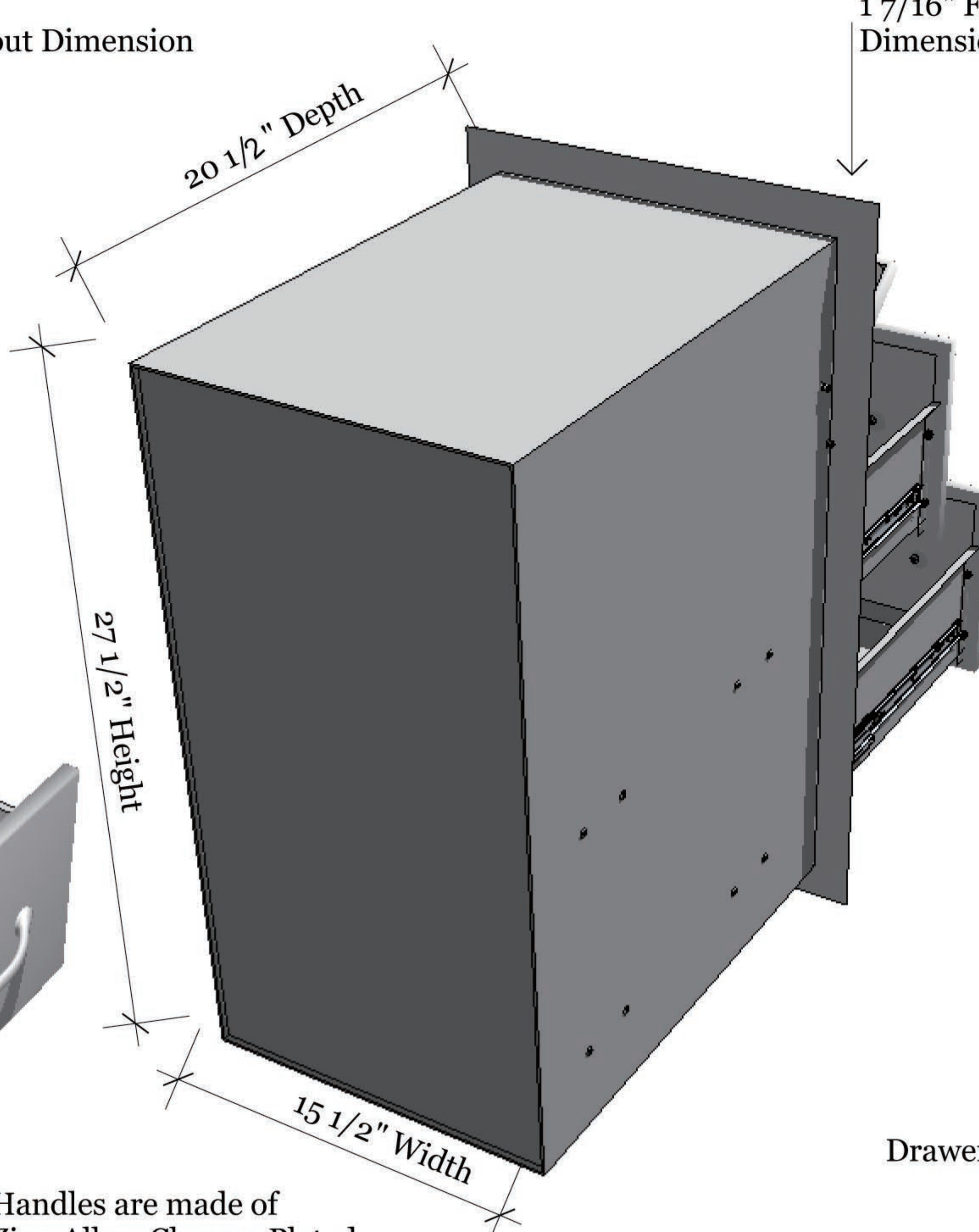


**Product Dimension**



**Cut-out Dimension**



**1 7/16" Flange Dimension**

Sunstone Metal Products  
16004 Central Commerce Dr  
Pflugerville TX 78665  
Tel: 888.934.9449  
Bus: 512.487.5116  
Fax: 512.487.7016

**PRODUCT**

Item No. A-DPCF

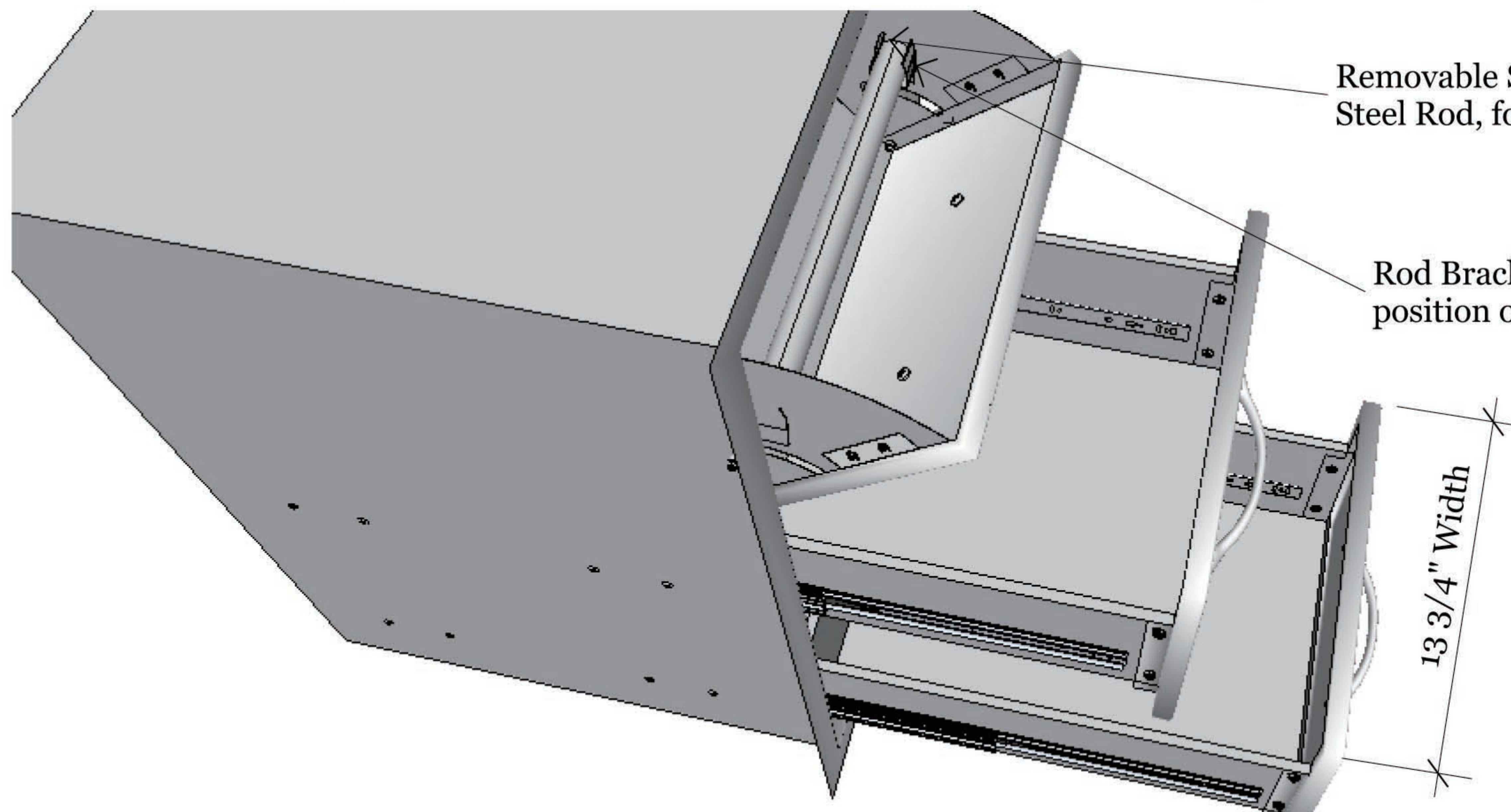
**DESCRIPTION**

**Flush Paper Towel & Paper Holder Combo**

Drawer & Paper Towel Holder Combo  
17" W x 30"H x 20-1/2"D (Product Size)  
15-1/2" W x 27-1/2"H (Cut-out)  
53 LBS (Weight)

**Material Specifications:**  
16 gauge 304 stainless steel for frame.  
18 gauge 304 for panel and sector.  
20 gauge 201 for cabinet.  
18 gauge galvanized sheet for the box.  
Handles are made of zinc alloy, chrome plated.

**Drawer Specifications**



Handles are made of Zinc Alloy, Chrome Plated

**Drawer Extension**

