

TEXAN SERIES ODK COMPONENTS

PRODUCT
16" Triple Drawer

Item No. TEX-16TD

DESCRIPTION
16" Texan Series Triple Drawer

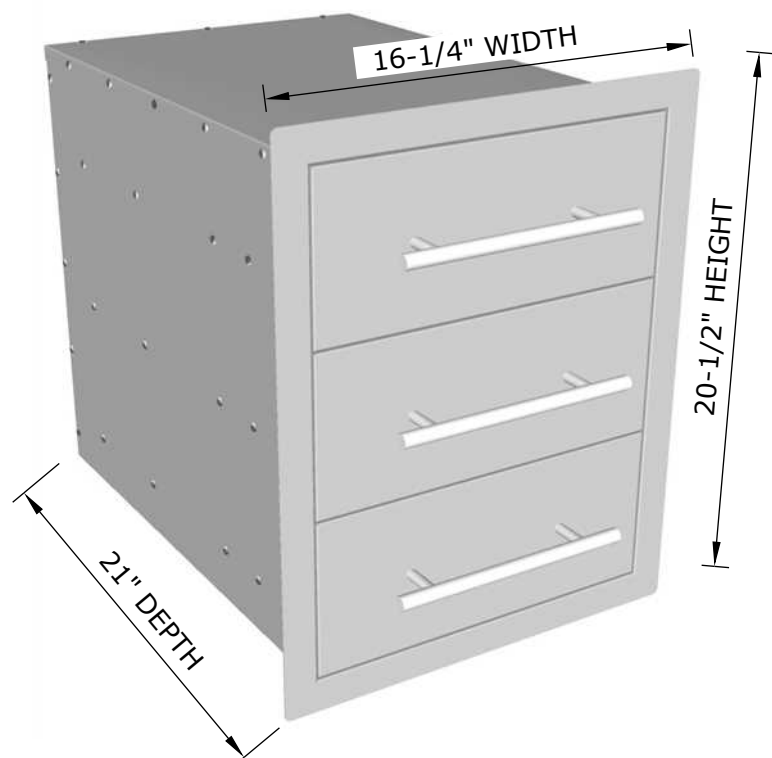
PRODUCT DIMENSIONS
Product Size: 16-1/4" WIDTH x 20-1/2" HEIGHT x 21" DEPTH
Cut-Out Size: 14-1/2" WIDTH x 19" HEIGHT x 21-1/2" DEPTH

SPECIFICATIONS
304 Stainless Steel
Construction Frame, Drawers,
Galvanized Cabinet Box (Not
Exposed to Elements) 304 SS
Rod Handle

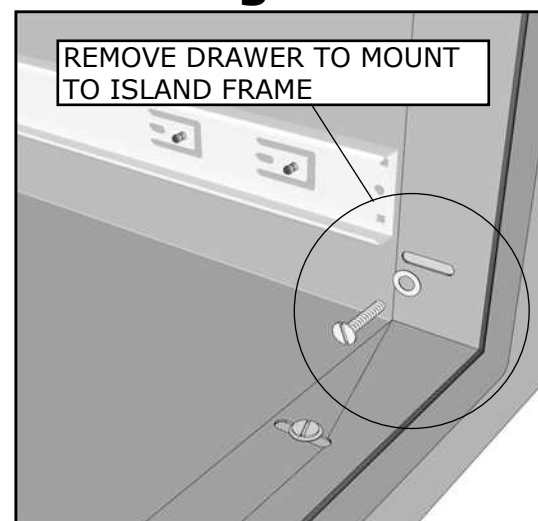
WARRANTY

- EXTERIOR FINISH -----3 YEARS
- STRUCTURE -----3 YEARS
- HANDLE-----1 YEAR

Product Dimensions



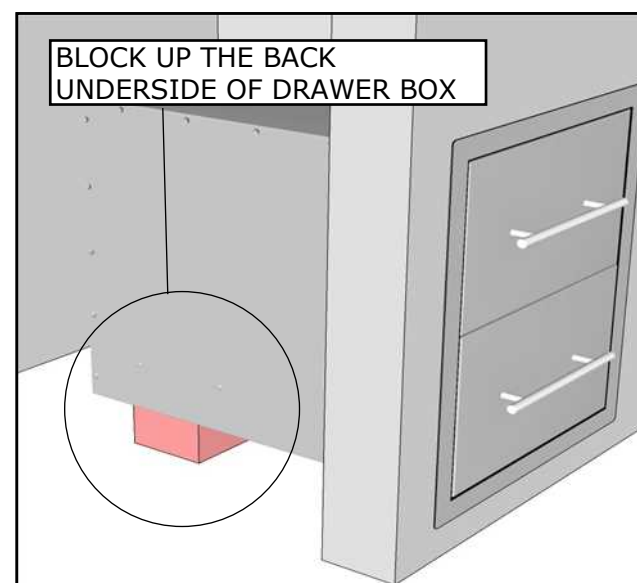
Mounting Holes



HAVE COMPONENT ON SITE BEFORE MAKING ISLAND CUTS, CONFIRM ALL DIMENSIONS BEFORE CUTTING INTO ISLAND WALL

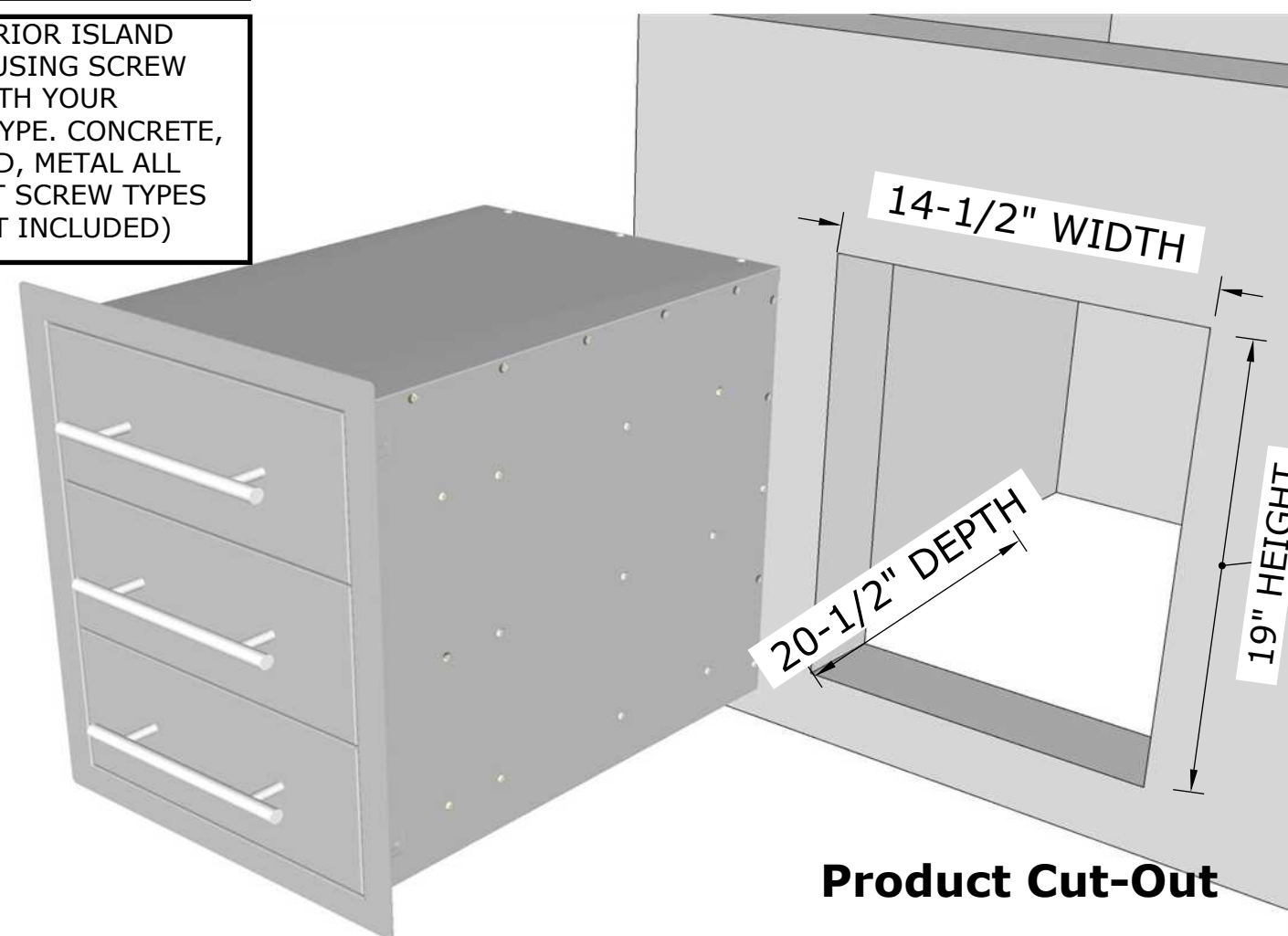
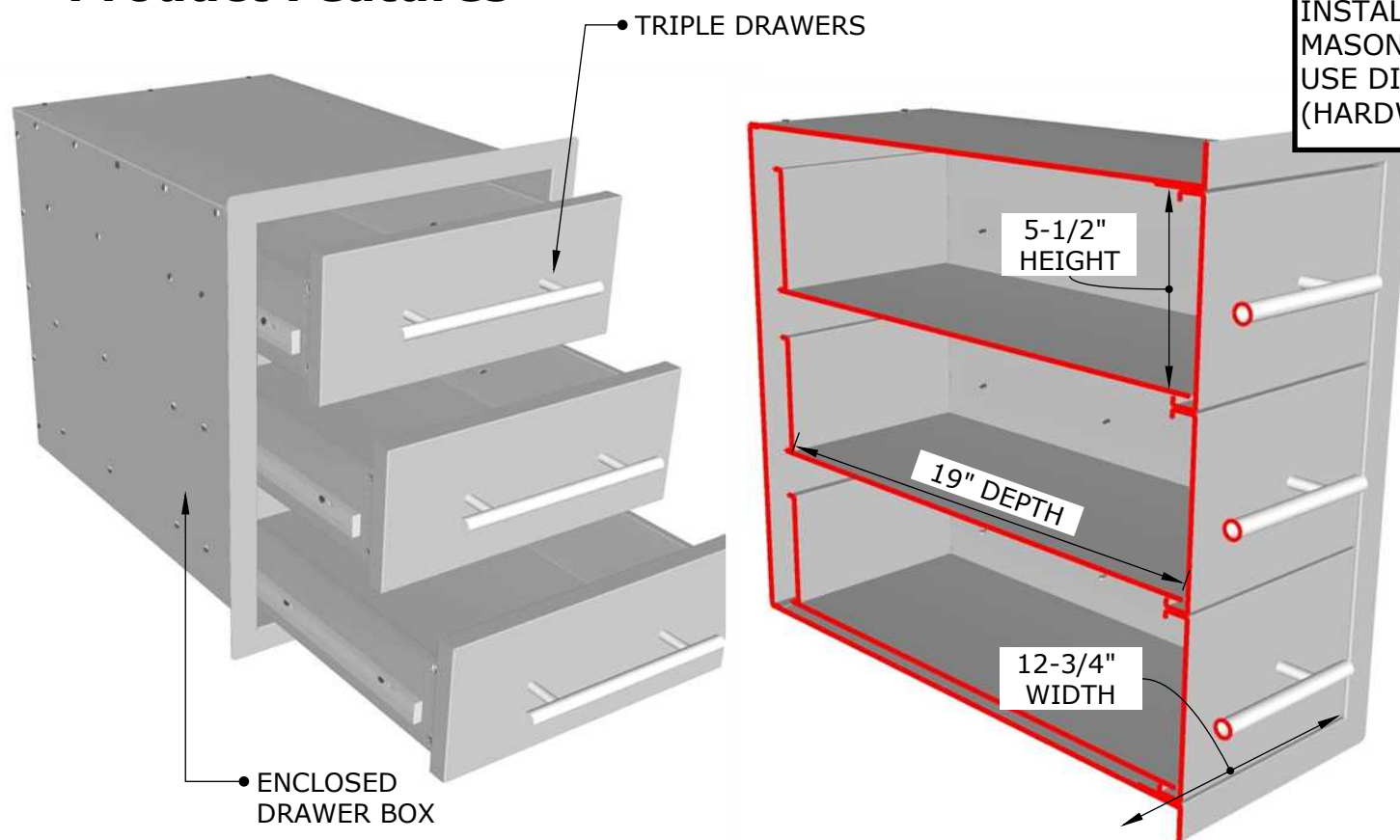
MOUNT TO INTERIOR ISLAND CUT-OUT EDGE USING SCREW CONSISTENT WITH YOUR INSTALLATION TYPE. CONCRETE, MASONRY, WOOD, METAL ALL USE DIFFERENT SCREW TYPES (HARDWARE NOT INCLUDED)

Drawer Box Support



ISLAND WALL CUT-OUT SIZE:
14-1/2" WIDTH x 19" HEIGHT x 21-1/2" DEPTH

Product Features



Product Cut-Out