

TEXAN SERIES INSULATED ICE CHEST

PRODUCT
15" Insulated Ice Chest

Item No. TEX-15IC

DESCRIPTION
15" Texan Series Over/Under
Insulated Ice Chest w/Chest
Cover

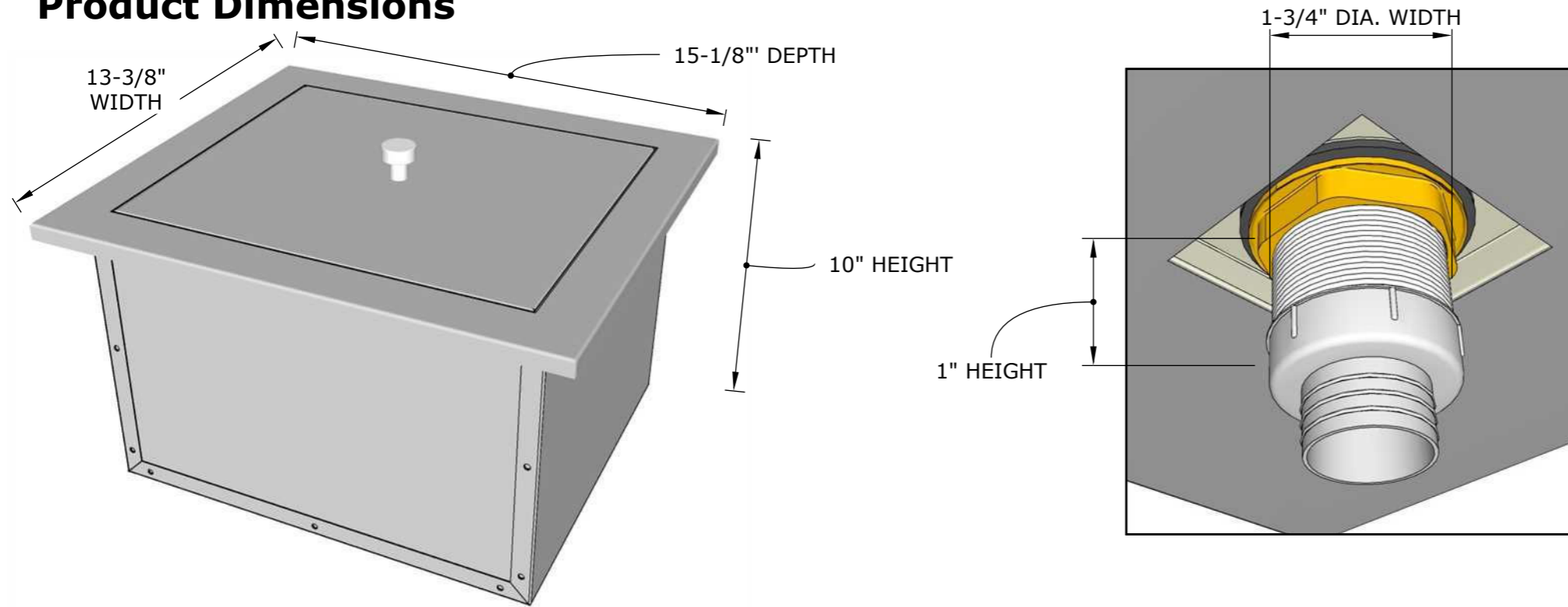
PRODUCT DIMENSIONS
Product Size: 13-3/8" WIDTH x
10" HEIGHT x 15-1/8" DEPTH
Cut-Out Size: 12-5/8" WIDTH x
10" HEIGHT x 13-5/8" DEPTH

SPECIFICATIONS
304 Stainless Steel. Outer
Underside is 201. 16 Gauge
Frame, 20 Gauge Basin. 22
Gauge Lid

WARRANTY

- EXTERIOR FINISH -----3 YEARS
- STRUCTURE -----3 YEARS
- HANDLE-----1 YEAR
- DRAIN-----1 YEAR

Product Dimensions



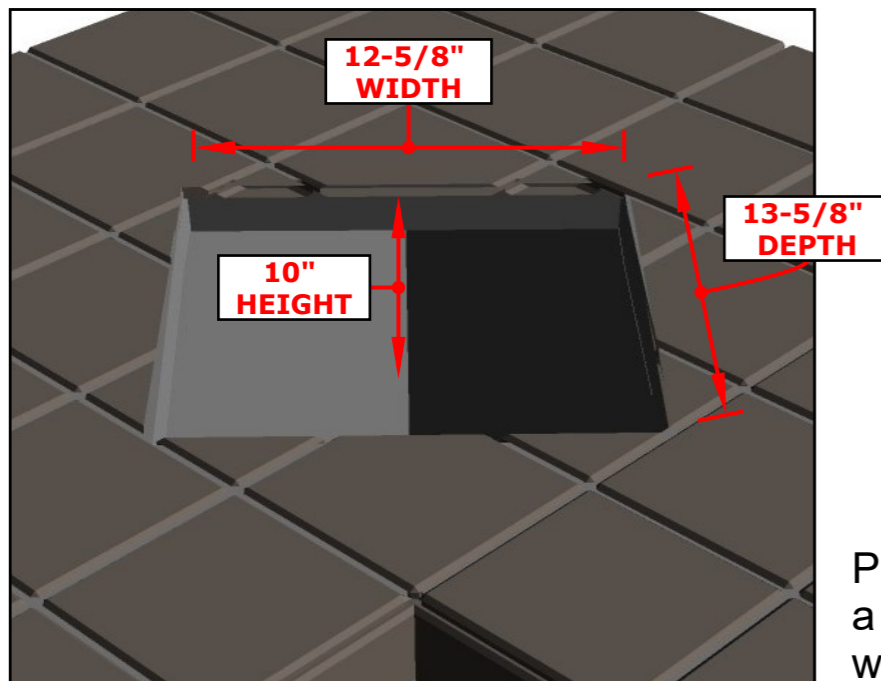
SPECIFICATIONS

PARTS LIST	ITEM NUMBER	#
ICE CHEST DRAIN	P-SDRAIN	1
MOUNTING CLIPS	P-SS17CLIP	4

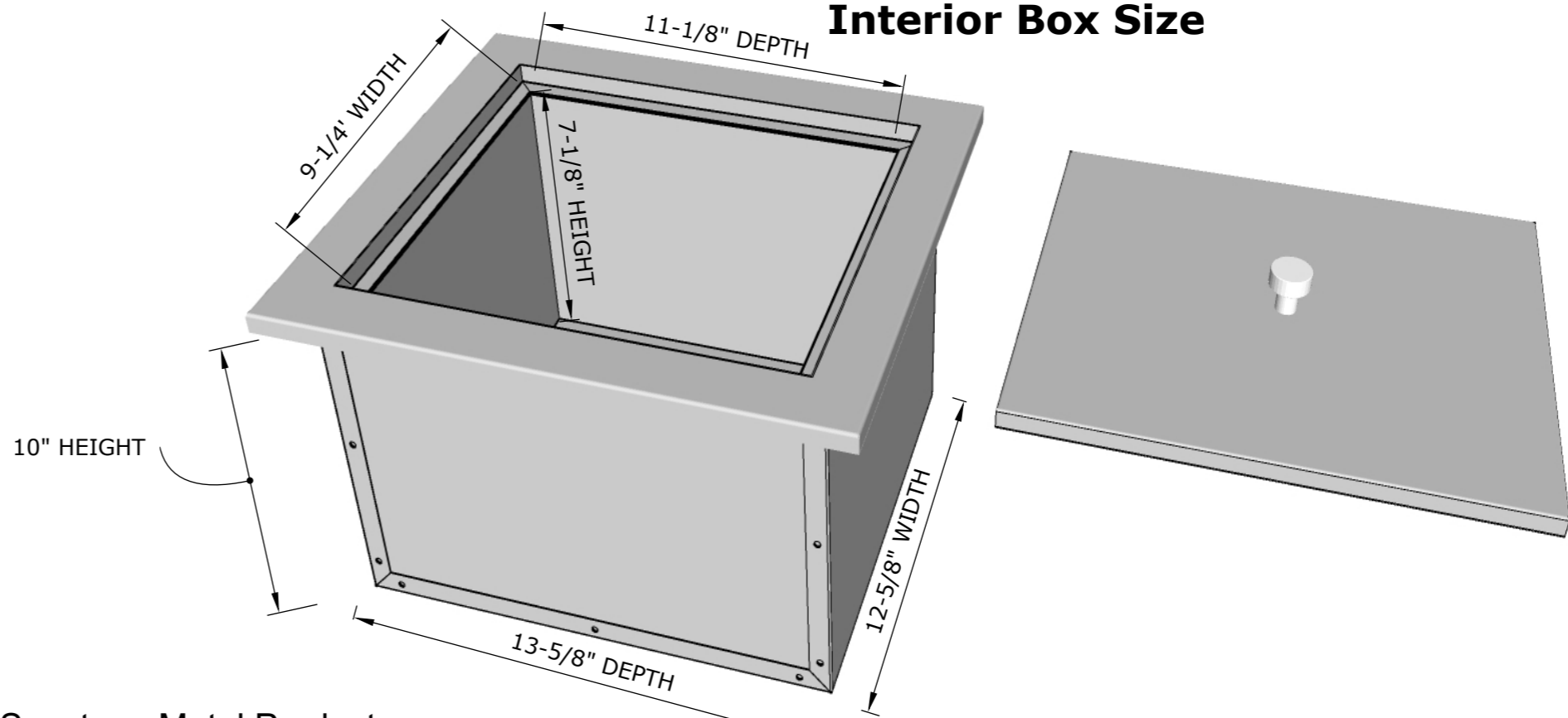
OTHER SPECS	DIMENSIONS
INTERIOR BOX SIZE	9-1/4" W x 11-1/8" D x 7-1/8" H
DRAIN STEM SIZE	1-3/4" DIA. PIPE

Product Features

CUT-OUT ILLUSTRATION



Interior Box Size



Product Cut-Out

Produced by Sunstone Metal Products,
a Proud Texas Company see more at:
www.sunstonemp.com/texanseries.html